



Parts List for Ecoer TDi Pro 2 Series Air Handler Units

EAHDEN-24ABA

2Ton Air Handler

EAHDEN-36ABA

3Ton Air Handler

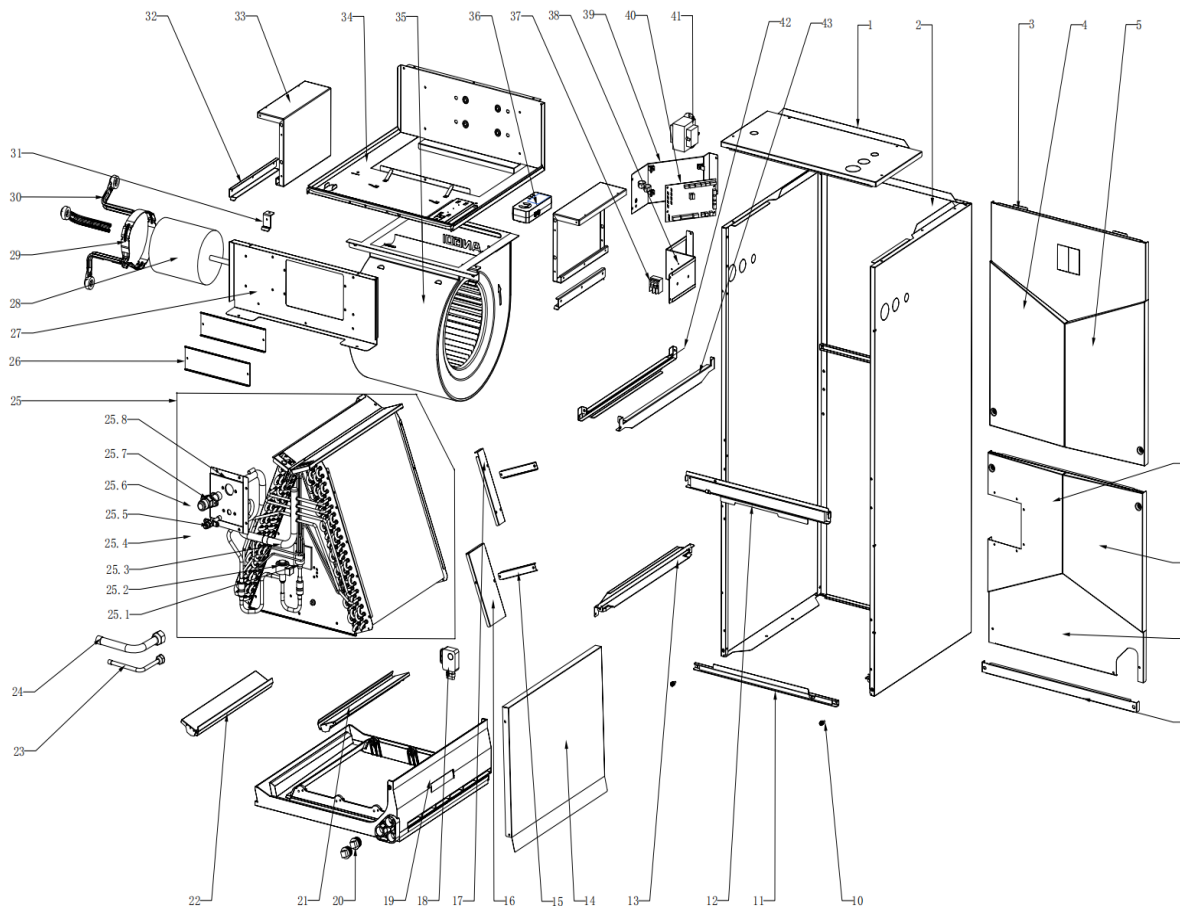
EAHDEN-48ABA

4Ton Air Handler

EAHDEN-60ABA

5Ton Air Handler





#	Part Name	Quantity	Parts number	
			24/36K	48/60K
1	Electronic control cover plate	1	EAC2308200064	EAC2308200025
2	Chassis ass'y	1	EAC2308200001	EAC2308200026
3	Rear side panel ass'y	1	EAC2308200021	EAC2308200059
4	Rear side panel cover 1	1	EAC2308200083	EAC2308200075
5	Rear side panel cover 2	1	EAC2308200085	EAC2308200077
6	Front side panel ass'y	1	EAC2308200019	EAC2308200057
7	Front side panel cover 1	1	EAC2308200087	EAC2308200079
8	Front side panel cover 2	1	EAC2308200089	EAC2308200081
9	Filter cover	1	EAC2308200023	EAC2308200062
10	Screw bolt	2	EAC2319100045	
11	Cap nut	1	EAC2308200012	EAC2308200049
12	Flat washer	1	EAC2308200011	EAC2308200045

#	Part Name	Quantity	Parts number	
			24/36K	48/60K
13	Drainage pan supporter ass'y III	2	EAC2308200047	
14	Drainage pan II	1	EAC2308200018	EAC2316100115
15	Drainage pan fixing plate	2	EAC2308200066	
16	Drainage pan connecting plate 1	1	EAC2308200095	EAC2308200053
17	Drainage pan connecting plate 2	2	EAC2308200096	EAC2308200054
18	A2L refrigerant detection Kit	1	EAC2309100037	
19	Drainage pan I	1	EAC41308-000018	EAC41308-000019
20	Drainage pan clap	2	EAC41214-000783	
21	Evaporator base plate ass'y 1	1	EAC2308200105	EAC2308200103
22	Evaporator base plate ass'y 2	1	EAC2308200106	EAC2308200104
23	liquid adapter tube	1	EAC2312100092	
24	Gas adapter tube	1	EAC2312100093	EAC2312100094
25	Evaporator ass'y	1	EAC2312100096	EAC2312100095
25.1	Evaporator input pipe ass'y	1	EAC2400300040	EAC2400300033
25.2	EEV ass'y	1	EAC2312100057	EAC2312100055
25.2.1	EEV	1	EAC2312100007	EAC2312100101
25.2.2	EEV coil		EAC2309100027	
25.3	Evaporator output pipe ass'y	1	EAC2400300039	EAC2400300032
25.4	Nitrogen detection valve	1	EAC2319100049	
25.5	Flange joint ass'y 1	1	EAC2312100089	
25.6	Nitrogen warning valve	1	EAC2319100047	EAC2319100048
25.7	Flange joint ass'y 2	1	EAC2312100090	EAC2312100091
25.8	Cover plate ass'y	1	EAC2308200091	
26	E-part box ass'y	2	EAC2308200043	
27	Blower Upper baffle	1	EAC2400300102	EAC2400300060
28	Brushless DC Motor	1	EAC2323100006	EAC2323100007
29	Motor bracket II	1	EAC2308300023	EAC2308300023
30	Motor bracket I	3	EAC2308300022	EAC2308300022
31	Fan wheel fixing plate	2	EAC2308200044	EAC2308200044
32	Blower side baffle 2	2	EAC2308200009	EAC2308200009

#	Part Name	Quantity	Parts number	
			24/36K	48/60K
33	Blower side baffle 1	2	EAC2308200008	EAC2308200041
34	Blower fixing plate	1	EAC2400300100	EAC2400300058
35	Centrifugal fan	1	EAC2308200074	EAC2308200069
36	IoT device	1	EAC230903107	
37	Terminal block	1	ECON060506	
38	Terminal fixing plate	1	EAC2308200030	
39	Electrical Parts support board	1	EAC2308200063	
40	PCB ass'y	1	EAC230906001	
41	Transformer	1	ETFR020004	
42	Drainage pan supporter ass'y I	1	EAC2308200034	
43	Drainage pan supporter ass'y II	1	EAC2308200046	

©2025 ECOER INC.

4040 McDermott Road, Suite 200 Plano, Texas 75024
Tel: 703-348-2538

www.ecoer.com