



## Parts List for ESi Decades Series Heat Pump Units

---

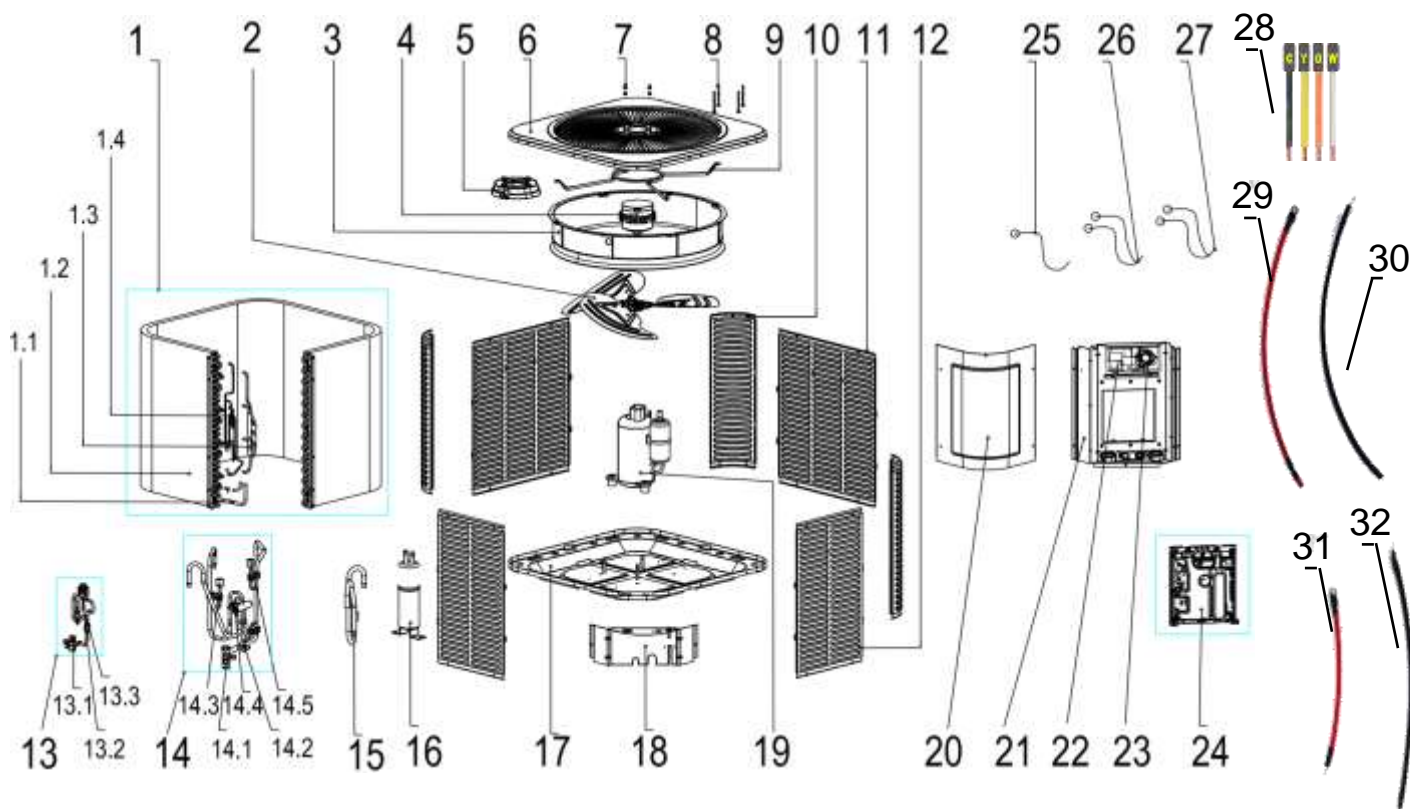
EODA18H-2436

2/3Ton Heat Pump

EODA18H-4860

4/5Ton Heat Pump





#	Part Name	Quantity	Parts number	
			2436	4860
1	Condenser ass'y	1	EAC231235269	EAC231235477
1.1	Condenser connection pipe ass'y	1	EAC231235268	
1.2	Condenser	1	EAC231235270	EAC231235271
1.3	Condenser outlet pipe ass'y	1	EAC231235085	EAC231235153
1.4	Condenser inlet pipe ass'y	1	EAC231235084	EAC231235154
2	Fan	1	EAC230801635	
3	Guide ring	1	EAC230700850	
4	Brushless DC Motor	1	EAC230904010	
5	Motor installation board ass'y	1	EAC230803381	
6	Top cover ass'y	1	EAC230803291	
7	Cap nut	4	EAC230803110	
8	Electrical installation bolt	4	EAC230803111	

#	Part Name	Quantity	Parts number		Remark
			2436	4860	
9	Roof support frame	1	EAC230801628		
10	Supporting board	3	EAC230801590B	EAC230801609B	
11	Side board ass'y	2	EAC230803142	EAC230802064A	
12	Side board ass'y	2	EAC230803143	EAC230802065A	
13	High-pressure valve ass'y	1	EAC231235131	EAC231235854	
13.1	Liquid block valve	1	EAC231231469		
13.2	Electronic expansion valve (EEV)	1	EAC231235157	EAC231235779	
13.3	EEV solenoid coil	1	EAC3120290034		
14	Reversing valve ass'y	1	EAC231235265	EAC231235155	
14.1	Gas block valve	1	EAC231231468	EAC3120130060	
14.2	Pipe joint ass'y	1	EAC231235472	EAC231235471	
14.3	High pressure sensor	1	EAC231235159		Black color
14.4	Reversing valve	1	EAC231235077	EAC231235078	Valve body
			EAC231235079		Valve coil
14.5	Low pressure sensor	1	EAC231235158		Green color
15	Suction pipe ass'y	1	EAC231235421	EAC231235149	
16	Refrigerant accumulator	1	EAC231236288	EAC231236289	
17	Chassis Parts	1	EAC230803293		
18	Lower side plate	1	EAC230803138	EAC230803139	
19	Compressor	1	EAC231235530	EAC231235532	
20	Upper cover plate	1	EAC230803313	EAC230803309	
21	Electrically controlled mounting board	1	EAC230803312	EAC230803310	
22	Noise filter ass'y (EMI)	1	EAC230904159		
23	PFC inductor	1	EAC230904160	EAC230904161	
24	Motherboard component	1	EAC230904156	EAC230904157	
25	Discharge Temp. sensor	1	EAC3160130008A		TD temperature sensor
26	Pipe Temp. sensor ass'y	1	EAC230901018		TL temperature sensor TH temperature sensor
27	Temp. sensor ass'y	1	EAC230901233		TS temperature sensor TA temperature sensor
28	Thermostat wiring connector	1	EAC230904254		To thermostat
29	Power cable (RED)	1	EAC230904301		
30	Power cable (BLACK)	1	EAC230904302		
31	Power cable connecting EMI and PCB CN19 (RED)	1	EAC230904303		Two metal lugs
32	Power cable connecting EMI and PCB CN18 (BLACK)	1	EAC230904304		Two metal lugs

©2023 ECOER INC.

43671 Trade Center Place, Suite 100Dulles, VA 20166 USA

Tel: 703-348-2538

[www.ecoer.com](http://www.ecoer.com)