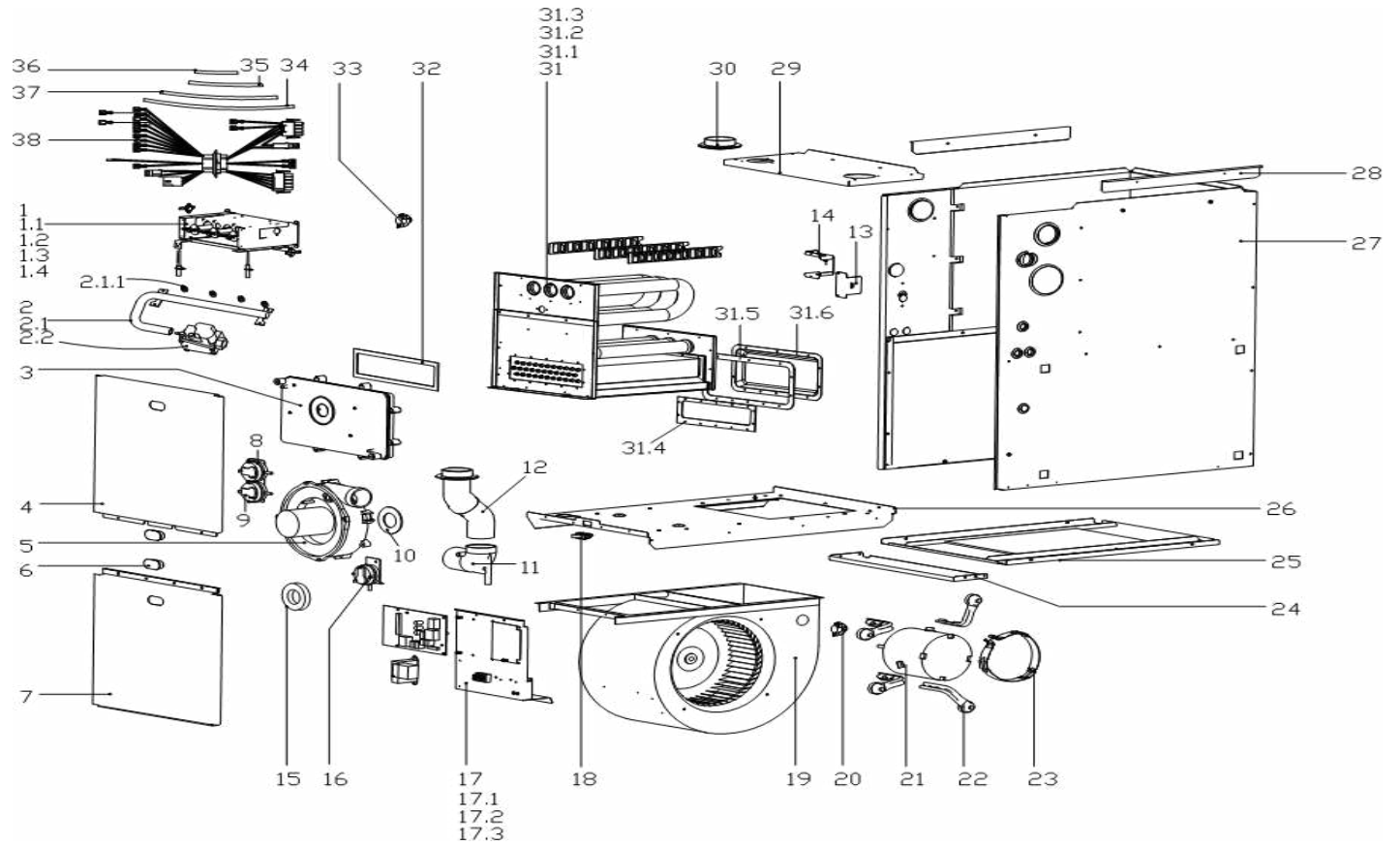


Parts List for MGH96 Furnace



Model	Parts Number
MGH96M060B3*	EAC0005001
MGH96M080B3*	EAC0005002
MGH96M080C4*	EAC0005003
MGH96M100C5*	EAC0005004
MGH96M100D5*	EAC0005005
MGH96M120D5*	EAC0005006

#	Part Name	Qty	Parts Number					
			060B	080B	080C	100C	100D	120D
1	Burner ass'y	1	EAC12227600001408	EAC12227600001400		EAC12227600001402	EAC12227600001405	
1.1	Rollout Switch	2			EAC17400513000045			
1.2	Igniter	1			EAC17427600000007			
1.3	Flame sensor	1			EAC11201006000010			
1.4	Burner	3-6			EAC17427600000004			
2	Gas pipe ass'y	1	EAC15427600000065	EAC15427600000060		EAC15427600000061	EAC15427600000063	
2.1	Gas pipe assembly	1	EAC15427600000007	EAC15427600000002		EAC15427600000006	EAC15327600000002	
2.1.1a	Copper nozzle	3-6			EAC15527600000001			
2.1.1b	Nat. to L.P. Gas conversion kit(optional)	3-6			EAC15527600000005			
2.2	Gas valve	1			EAC17427600001389			
3	Drain box	1	EAC12127600000018		EAC12127600000019		EAC12127600000020	
4	Front panel (Upper)	1	EAC12227600000171		EAC12227600000166		EAC12227600000170	
5	Inducer	1		EAC17400801002944			EAC17400801000935	
6	Sight glass	2			EAC12127600000009			
7	Front panel (Lower)	1	EAC12227600000163		EAC12227600000167		EAC12227600000168	
8	Pressure switch (High fire)	1			EAC17400515000422			
9	Pressure switch (Low fire)	1			EAC17400515000421			
10	Inducer gasket	1			EAC12427600000049			
11	Flue discharge elbow	1			EAC12127600000015			
12	Flue discharge pipe joint ass'y	1			EAC12127600000016			
13	Junction box cover	1			EAC122276000000817			
14	Junction box	1			EAC122276000000818			
15	Flue discharge clasp	1	EAC12127600000365	EAC12127600000366		EAC12127600000367	EAC12127600000045	
16	Pressure switch (water level)	1			EAC17400515000420			
17	Electric control box ass'y	1			EAC172276000000941			
17.1	Linear Transformer	1			EAC11203103000197			
17.2	Main control board	1			EAC17127600000708			
18	Door switch	1			EAC17427600001148			
19	Centrifugal fan	1	EAC12200102000010			EAC12200102000031		
20	Fan mounted temp. limit switch	2			EAC174005130000874			
21	ECM blower motor	1		EAC11002015011986			EAC11002015011987	
22	Motor bracket ass'y	4	EAC122276000000245				EAC12223000001933	
23	Motor bracket	1			EAC12223000001993			
24	Bottom support plate	1	EAC122276000000265		EAC122276000000267		EAC122276000000268	
25	Bottom return plate	1	EAC122276000000849		EAC122276000000819		EAC122276000000833	
26	Blower partition panel	1	EAC122276000000222		EAC122276000000217		EAC122276000000219	
27	Cabinet ass'y	1	EAC122276000000842		EAC122276000000823		EAC122276000000837	
28	Supporting bar ass'y	2			EAC122276000000274			
29	Top panel	1	EAC12227600000169		EAC12227600000164		EAC12227600000165	
30	Air inlet pipe joint	1			EAC12127600000010			
31	Heat exchanger ass'y	1	EAC157276000000080	EAC157276000000079	EAC157276000000075	EAC157276000000076	EAC157276000000077	
32	Drain pan gasket	1	EAC124276000000035		EAC124276000000033		EAC124276000000034	
33	Chamber limit switch	1			EAC17400513001114			
34	Hose I	1			EAC126276000000005			
35	Hose IV	2			EAC126276000000006			
36	Hose II	1			EAC126276000000007			
37	Hose III	1			EAC126276000000009			
38	Wire harness	1			EAC17401203016840			