



SUBMITTAL DATA SHEET

Duct Heat Pump System	
Location: _____	Approval: _____
Engineer: _____	Date: _____
Submitted to: _____	Construction: _____
Submitted by: _____	Unit #: _____
Reference: _____	Drawing #: _____

Set Code	22023010005845
Indoor unit code	22023011003474
Outdoor unit code	22022016015900
Set Model	
Indoor unit model	MIU-A18D-2
Outdoor unit model	MOU-A18H-2
Certified	
AHRI	
UL	



SYSTEM PERFORMANCE DATA

Power supply		
Normal Operational Voltage	(V, Ph, Hz)	208-230V, 1Ph, 60Hz
Voltage Range	(V)	187-253
Electrical		
Minimum circuit ampacity(Outdoor)	(A)	20.0
Max.fuse(Outdoor)	(A)	25.0
Connection wiring		14AWG*4
Cooling		
Capacity	(Btu/h)	17000(6500~18800)
Power Input	(W)	1460(310~1900)
Current	(A)	9.32(2.3~8.9)
SEER2	(Btu/W)	18.0
EER2	(Btu/W)	11.7
Heating		
Capacity	(Btu/h)	19000(8900~22000)
Power Input	(W)	1900(550~2250)
Current	(A)	11.50(3.80~12.0)
HSPF2-4	(Btu/W)	9.5
HSPF2-5	(Btu/W)	7.5
COP	W/W	2.93
Heat at 17F(H32)	(Btu/h)	15000
Heat at 5F(H42)	(Btu/h)	17700
COP at 5F(H42)	W/W	1.85

REFRIGERANT PIPE DATA

Throttle type	Indoor unit	N/A
	Outdoor unit	EXV
Design pressure	(PSIG)	550/340
Refrigerant Type		R410A
Refrigerant charge	oz	65.26
Refrigerant precharge	(ft)	25.0
	(m)	7.5
Additional charge for each ft	(oz/ft)	0.16
Additional charge for each m	(g/m)	15.0
Liquid side/ Gas side(indoor)	(inch)	1/4"/1/2"
	(mm)	6.35/12.7
Liquid side/ Gas side(outdoor)	(inch)	1/4"/1/2"
	(mm)	6.35/12.7
Max. pipe length	(ft)	98.4
	(m)	30.0
Max. difference in level	(ft)	65.6
	(m)	20.0
Connection method		Flared
Indoor(cooling)	(Deg. °F)	62~90
	(Deg. °C)	17~32
Indoor(heating)	(Deg. °F)	32~86
	(Deg. °C)	0~30
Outdoor(cooling)	(Deg. °F)	-22~122
	(Deg. °C)	-30~50
Outdoor(heating)	(Deg. °F)	-22~75
	(Deg. °C)	-30~24

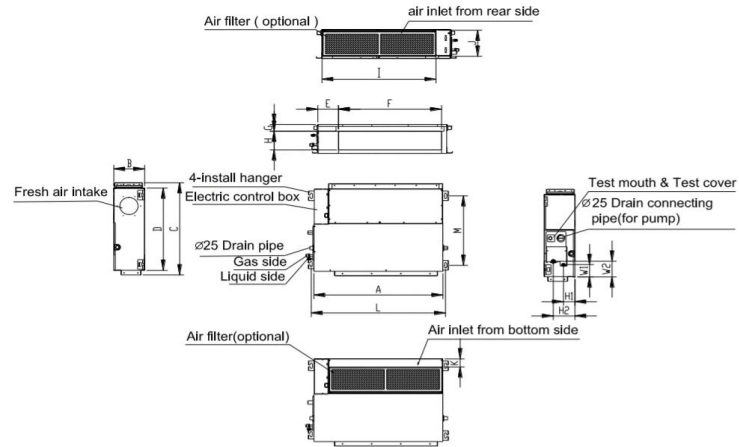
INDOOR UNIT DATA

Indoor fan motor		
Model		ZKFN-160-8-1-2
Qty		1
Input	(W)	90.00
Output	(W)	160.0
RLA	(A)	1.2
Speed(Hi/Mi/Lo)	(r/min)	850/700/450
Air flow & Noise level		
Indoor air flow (Hi/Med/Lo) (No duct)	(CFM)	//529.41/450.00/370.59
Indoor noise level (Hi/Med/Lo)	[dB(A)]	40/37.5/35
Dehumidification	(L/H)	1.6
Indoor unit		
Dimension (WxDxH)	(inch)	34.65x26.54x8.27
	(mm)	880x674x210
Packing(WxDxH)	(inch)	42.13x28.54x11.02
	(mm)	1070x725x280
Net/Gross weight	(lbs.)	55.34/67.02
	(kg)	25.1/30.4

OUTDOOR UNIT DATA

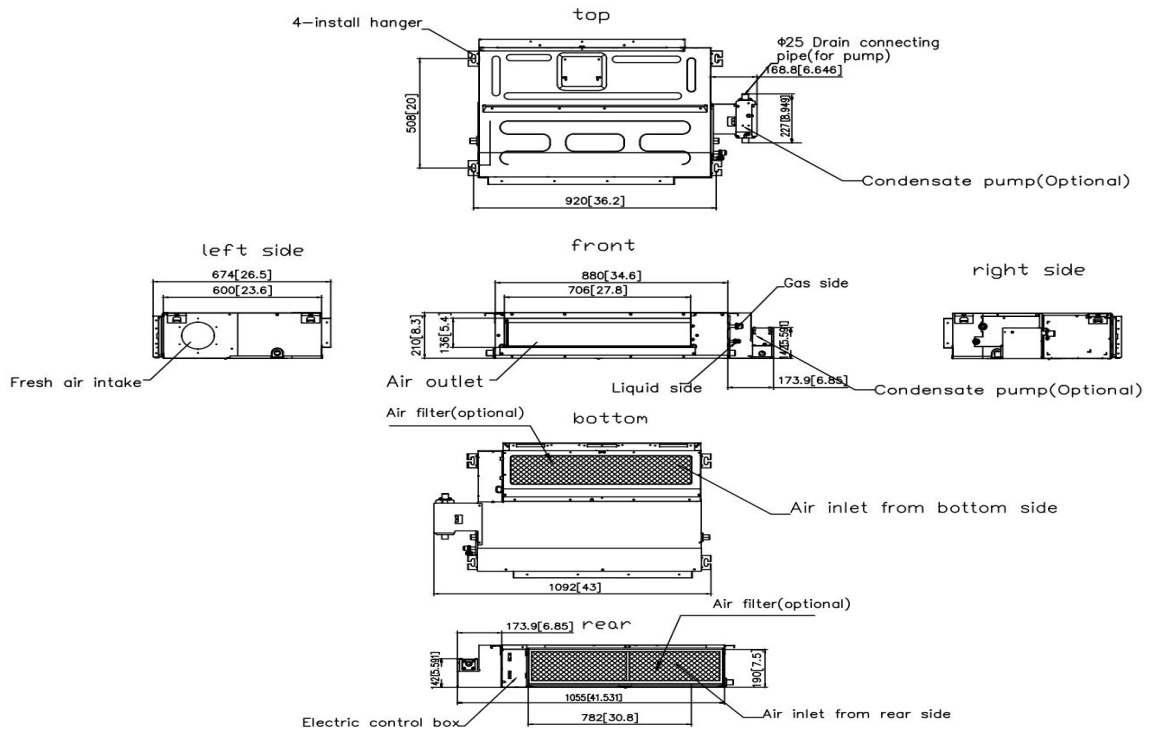
Compressor		
Type		Twin-ROTARY
Model		KTM240D43UKT
Brand		GMCC
Capacity	(Btu/h)	25931
Input	(W)	2045
Rated current (RLA)	(A)	14.25
Refrigerant oil/oil charge	(ml)	ESTER OIL VG74 620
Outdoor fan motor		
Model		ZKFN-80-8-3
Qty		1
Input	(W)	/
Output	(W)	80
RLA	(A)	0.8
Speed	(r/min)	810/720
Air flow & Noise level		
Outdoor air flow (Max.)	(CFM)	1765
Outdoor noise level	[dB(A)]	59.0
Outdoor unit		
Dimension (WxDxH)	(inch)	35.04x13.46x26.50
	(mm)	890x342x673
Packing (WxDxH)	(inch)	39.17x15.67x29.13
	(mm)	995x398x740
Net/ Gross weight	(lbs.)	100.97/108.03
	(kg)	45.8/49

Indoor unit dimension(internal pump)



Model (KBTu/h)	unit	A	B	C	D	E	F	G	H	I	J	K	L	M	H1	H2	W1	W2
9/12	mm	700	200	506	450	137	537	30	152	599	186	50	741	360	84	140	84	84
	inch	27.6	7.9	19.9	17.7	5.4	21.1	1.2	6.0	23.6	7.3	2.0	29.2	14.2	3.3	5.5	3.3	3.3
18	mm	880	210	674	600	140	706	50	136	782	190	40	920	508	78	148	88	112
	inch	34.6	8.3	26.5	23.6	5.5	27.8	2.0	5.4	30.8	7.5	1.6	36.2	20.0	3.1	5.8	3.5	4.4
24	mm	1100	249	774	700	140	926	50	175	1001	228	5	1140	598	80	150	130	155
	inch	43.3	9.8	30.5	27.6	5.5	36.5	2.0	6.9	39.4	9.0	0.2	44.9	23.5	3.1	5.9	5.1	6.1
36	mm	1360	249	774	700	140	1186	50	175	1261	228	5	1400	598	80	150	130	155
	inch	53.5	9.8	30.5	27.6	5.5	46.7	2.0	6.9	49.6	9.0	0.2	55.1	23.5	3.1	5.9	5.1	6.1
48	mm	1200	300	874	800	123	1044	50	227	1101	280	5	1240	697	80	150	185	210
	inch	47.2	11.8	34.4	31.5	4.8	41.1	2.0	8.9	43.3	11.0	0.2	48.8	27.4	3.1	5.9	7.3	8.3

Indoor unit dimension(external pump)



Outdoor unit dimension

