

DLCPRA

SERVICE MANUAL

Outdoor Unit Single Zone Ductless System

Sizes 09 to 12

TABLE OF CONTENTS

	PAGE
SAFETY CONSIDERATIONS	1
INTRODUCTION	1
MODEL / SERIAL NUMBER NOMENCLATURES	2
SPECIFICATIONS – HEAT PUMP	3
DIMENSIONS	4
CLEARANCES	5
ELECTRICAL DATA	6
WIRING	6
CONNECTION DIAGRAM	6
WIRING DIAGRAM	7
FAN AND MOTOR SPECIFICATIONS	8
REFRIGERATION CYCLE DIAGRAM	8
REFRIGERANT LINES	9
SYSTEM EVACUATION AND CHARGING	10
OPERATION MODES AND FUNCTIONS	11
TROUBLESHOOTING	16
ERROR DIAGNOSIS AND TROUBLESHOOTING WITHOUT ERROR CODE	18
QUICK MAINTENANCE BY ERROR CODE	21
TROUBLESHOOTING BY ERROR CODE	22
DIAGNOSIS AND SOLUTION	23
DISASSEMBLY INSTRUCTIONS	38
APPENDIX	49

SAFETY CONSIDERATIONS

Installing, starting up, and servicing air-conditioning equipment can be hazardous due to system pressures, electrical components, and equipment location (roofs, elevated structures, etc.).


Only trained, qualified installers and service mechanics should install, start-up, and service this equipment.

Untrained personnel can perform basic maintenance functions such as coil cleaning. All other operations should be performed by trained service personnel.


When working on the equipment, observe precautions in the literature and on tags, stickers, and labels attached to the equipment.

Follow all safety codes. Wear safety glasses and work gloves. Keep a quenching cloth and fire extinguisher nearby when brazing. Use care in handling, rigging, and setting bulky equipment.

Read this manual thoroughly and follow all warnings or cautions included in the literature and attached to the unit. Consult local building codes and National Electrical Code (NEC) for special requirements.

Recognize safety information. This is the safety-alert symbol . When you see this symbol on the unit and in instructions or manuals, be alert to the potential for personal injury. Understand these signal words: **DANGER**, **WARNING**, and **CAUTION**.


These words are used with the safety-alert symbol. **DANGER** identifies the most serious hazards which **will** result in severe personal injury or death. **WARNING** signifies hazards which **could** result in personal injury or death. **CAUTION** is used to identify unsafe practices which **may** result in minor personal injury or product and property damage. **NOTE** is used to highlight suggestions which **will** result in enhanced installation, reliability, or operation.


 **WARNING**

ELECTRICAL SHOCK HAZARD

Failure to follow this warning could result in personal injury or death.


Before installing, modifying, or servicing system, main electrical disconnect switch must be in the OFF position. There may be more than 1 disconnect switch. Lock out and tag switch with a suitable warning label.

 **WARNING**

 **EXPLOSION HAZARD**

Failure to follow this warning could result in death, serious personal injury, and/or property damage.

Never use air or gases containing oxygen for leak testing or operating refrigerant compressors. Pressurized mixtures of air or gases containing oxygen can lead to an explosion.

 **CAUTION**

EQUIPMENT DAMAGE HAZARD

Failure to follow this caution may result in equipment damage or improper operation.

Do not bury more than 36 in. (914 mm) of refrigerant pipe in the ground. If any section of pipe is buried, there must be a 6 in. (152 mm) vertical rise to the valve connections on the outdoor units. If more than the recommended length is buried, refrigerant may migrate to the cooler buried section during extended periods of system shutdown. This causes refrigerant slugging and could possibly damage the compressor at start-up.

INTRODUCTION

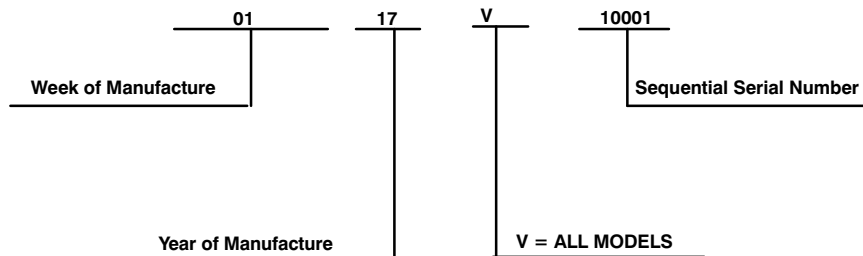
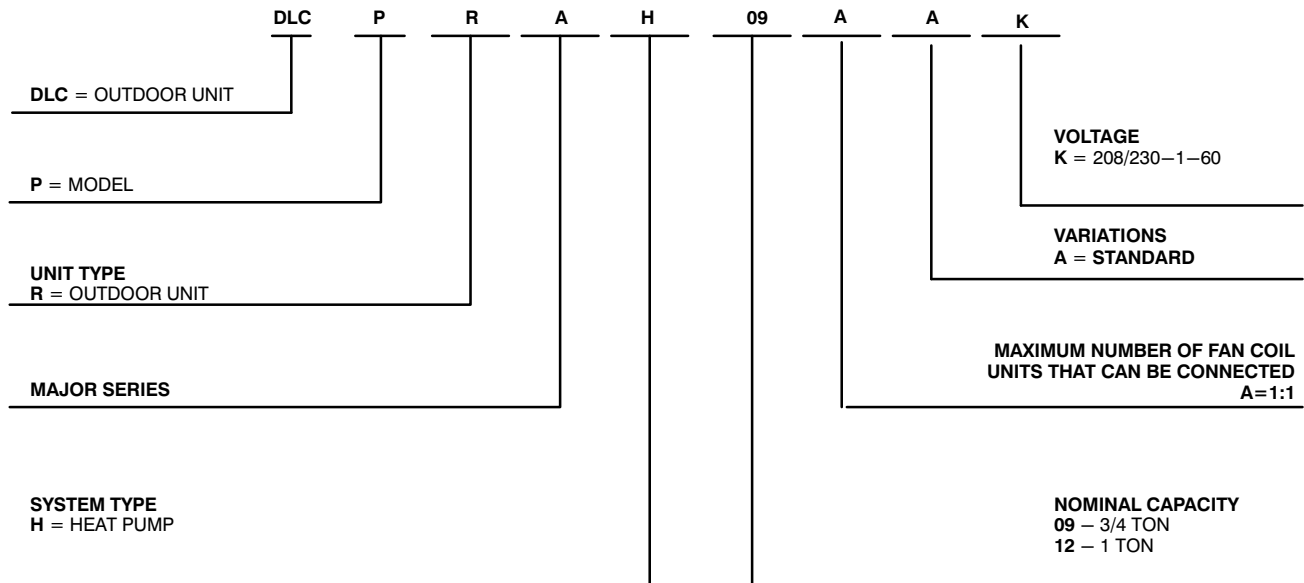
This Service Manual provides the necessary information to service, repair, and maintain the outdoor units. Section 2 of this manual has an appendix with data required to perform troubleshooting. Use the Table of Contents to locate a desired topic.

MODEL / SERIAL NUMBER NOMENCLATURES

Table 1 —Unit Sizes

SYSTEM TONS	kBTUh	VOLTAGE	OUTDOOR MODEL
0.75	9,000	208/230-1	DLCPRAH09AAK
1.00	12,000		DLCPRAH12AAK

OUTDOOR UNIT



Use of the AHRI Certified TM Mark indicates a manufacturer's participation in the program. For verification of certification for individual products, go to www.ahridirectory.org.



SPECIFICATIONS – HEAT PUMP

Table 2 — Specifications

HEAT PUMP				
System	SIZE		9	12
	Outdoor Model		DLCPRAH09AAK	DLCPRAH12AAK
Electrical	Voltage, Phase, Cycle	V/Ph/Hz	208/230–1–60	208/230–1–60
	MCA	A.	13	15
	MOCP – Fuse Rating	A.	15	20
Operating Range	Cooling Outdoor DB Min – Max	° F(° C)	–22~ 122 (–30~ 50)	–22~ 122 (–30~ 50)
	Heating Outdoor DB Min – Max	° F(° C)	–22~ 86 (–30~ 30)	–22~ 86 (–30~ 30)
Piping	Total Piping Length	ft(m)	98 (30)	98 (30)
	Piping Lift*	ft(m)	49 (15)	49 (15)
	Pipe Connection Size – Liquid	in(mm)	1/4 (6.35)	1/4 (6.35)
	Pipe Connection Size – Suction	in(mm)	3/8 (9.52)	1/2 (12.7)
Refrigerant	Type		R410A	R410A
	Charge	lbs(kg)	3.5 (1.58)	3.5 (1.58)
	Metering Device		EEV	EEV
Outdoor Coil	Face Area	Sq. Ft.	5.12	5.12
	No. Rows		2	2
	Fins per inch		21	21
	Circuits		6	6
Compressor	Type		Rotary Inverter	Rotary Inverter
	Model		ATM115D43UFZ2	ATM115D43UFZ2
	Oil Type		VG74	VG74
	Oil Charge	Fl. Oz.	16.9	16.9
	Rated Current	RLA	8.0	8.0
Outdoor	Unit Width	in(mm)	33.27 (845)	33.27 (845)
	Unit Height	in(mm)	27.64 (702)	27.64 (702)
	Unit Depth	in(mm)	14.29(363)	14.29(363)
	Net Weight	lbs(kg)	107.59(48.8)	108.47 (49.2)
	Airflow	CFM	1380	1380
	Sound Pressure	dB(A)	55.5	56.0

* Condensing unit above or below the indoor unit

DIMENSIONS

Table 3 —Dimensions and Weights

System Size		Height (H) in. (mm)	Width (W) in. (mm)	Depth (D) in. (mm)	Weight—Net lbs. (kg)
9K	(208/230V)	27.64(702)	33.27(845)	14.29(363)	107.59(48.8)
12K	(208/230V)	27.64(702)	33.27(845)	14.29(363)	108.47(49.2)

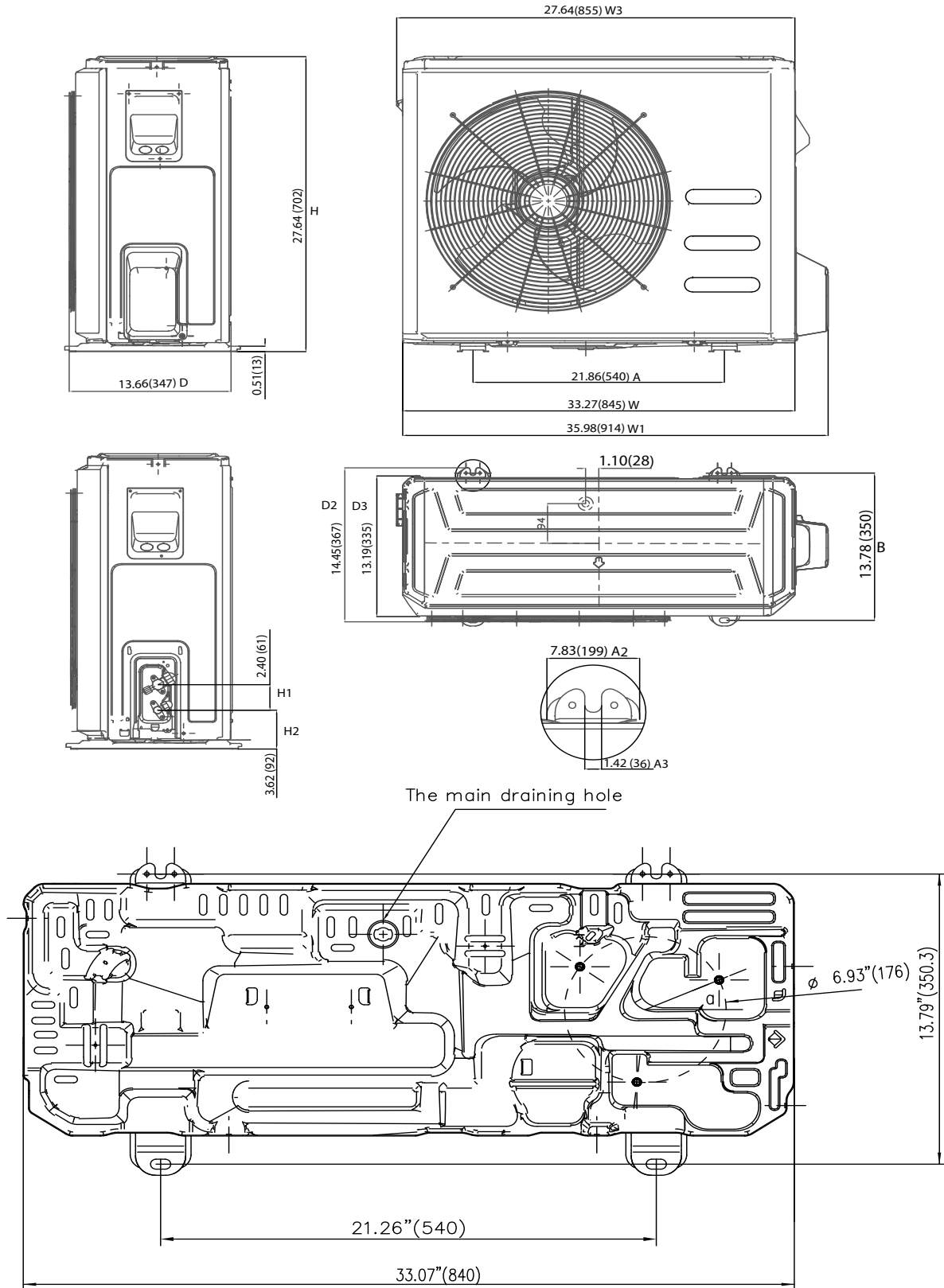


Fig. 1 — Sizes 9K and 12K

CLEARANCES

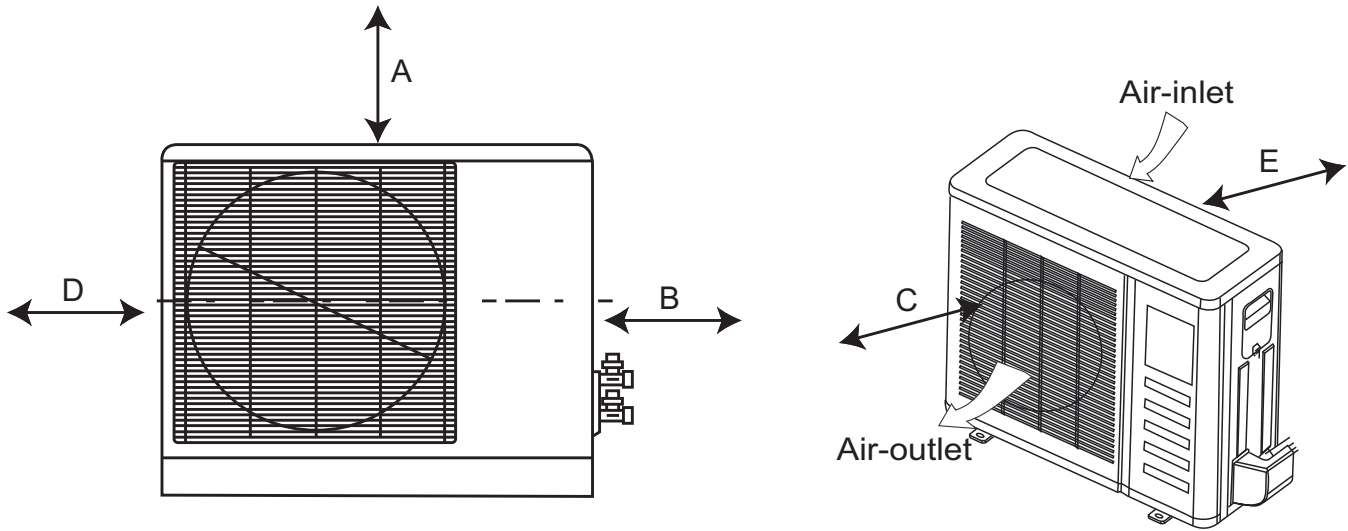


Fig. 2 – Clearances Outdoor

Table 4 —Clearances

UNIT	MINIMUM VALUE in. (mm)
A	24 (609)
B	24 (609)
C	24 (609)
D	4 (101)
E	4 (101)

NOTE: The outdoor unit must be mounted at least 2in (50mm) above the maximum anticipated snow depth.

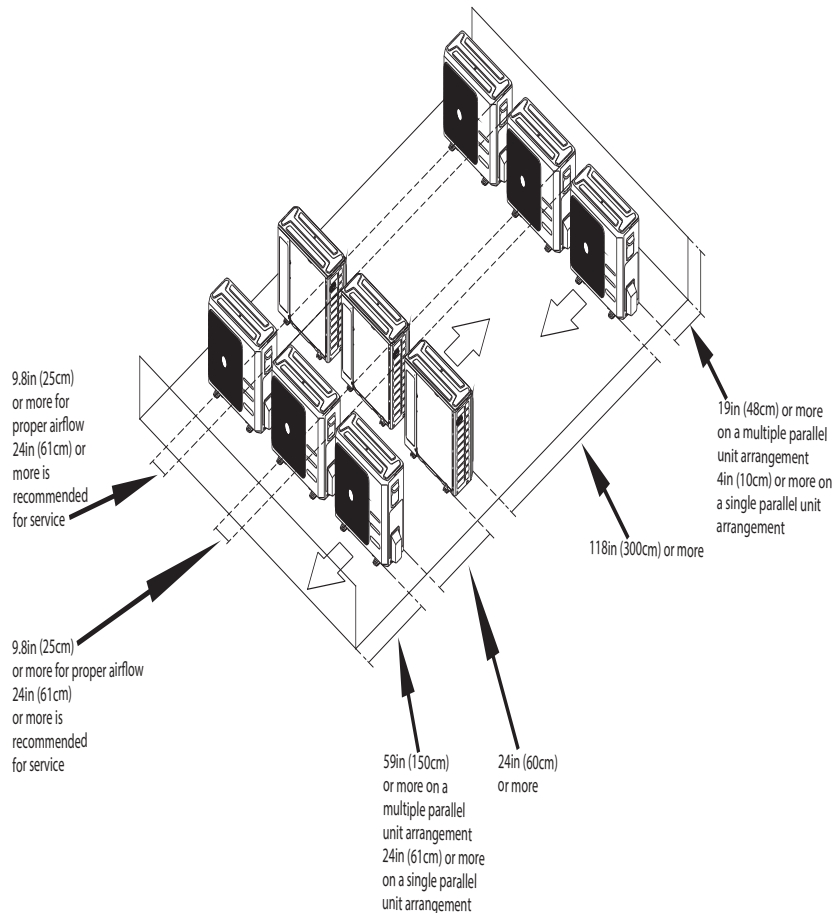


Fig. 3 – Clearances for multiple units

ELECTRICAL DATA

Table 5 —Electrical Data (Heat Pump)

Heat Pump	Outdoor Unit Size	9K	12K
	Volts—PH—Hz	(208/230V)	(208/230V)
	Max – Min* Oper. Voltage	253–187	253–187
Power Supply	MCA	13	15
	MOCP	15	20
Compressor	RLA	8.0	8.0
	FLA	0.6	0.6
Outdoor Fan Motor	Rated HP	0.156	0.156
	Output	50	50

*Permissible limits of the voltage range at which the unit will operate satisfactorily.

LEGEND

- FLA – Full Load Amps
- MCA – Minimum Circuit Amps
- MOCP – Maximum Over-Current Protection
- RLA – Rated Load Amps

WIRING

All wires must be sized per NEC (National Electrical Code) or CEC (Canadian Electrical Code) and local codes. Use Electrical Data table MCA (minimum circuit amps) and MOCP (maximum over current protection) to correctly size the wires and the disconnect fuse or breakers respectively.

Recommended Connection Method for Power and Communication Wiring:

The main power is supplied to the outdoor unit. The field supplied 14/3 stranded wire with ground with a 600 volt insulation rating, power/communication wiring from the outdoor unit to indoor unit consists of four (4) wires and provides the power for the indoor unit. Two wires are line voltage AC power, one is communication wiring (S) and the other is a ground wire. Wiring between indoor and outdoor unit is polarity sensitive. The use of BX wire is NOT recommended.

If installed in a high Electromagnetic field (EMF) area and communication issues exists, a 14/2 stranded shielded wire can be used to replace L2 and (S) between outdoor unit and indoor unit landing the shield onto ground in the outdoor unit only.

⚠ **CAUTION**

EQUIPMENT DAMAGE HAZARD

Failure to follow this caution may result in equipment damage or improper operation.

Wires should be sized based on NEC and local codes.

⚠ **CAUTION**

EQUIPMENT DAMAGE HAZARD

Failure to follow this caution may result in equipment damage or improper operation.

Be sure to comply with local codes while running wire from the indoor unit to the outdoor unit.

Every wire must be connected firmly. Loose wiring may cause the terminal to overheat or result in unit malfunction. A fire hazard may also exist. Ensure all wiring is tightly connected.

No wire should touch the refrigerant tubing, compressor or any moving parts.

Disconnecting means must be provided and shall be located within sight and readily accessible from the air conditioner.

Connecting cable with conduit shall be routed through the hole in the conduit panel.

CONNECTION DIAGRAM

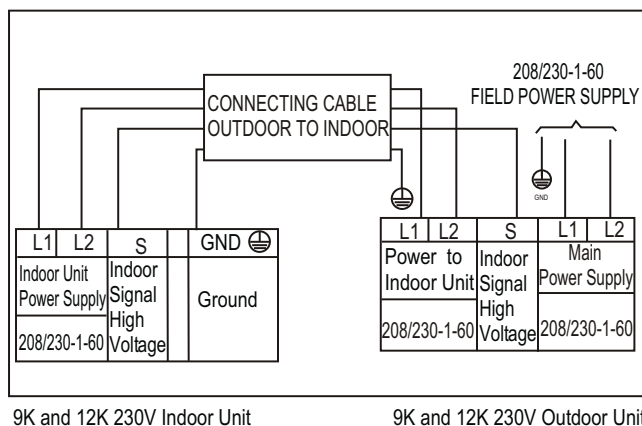


Fig. 4 — Connection Diagrams

Notes:

1. Do not use thermostat wire for any connection between indoor and outdoor units.
2. All connections between indoor and outdoor units must be as shown. **The connections are polarity sensitive and improper wiring will result in a fault code (E1). Double check the control wiring before applying power to the outside unit.**

WIRING DIAGRAM

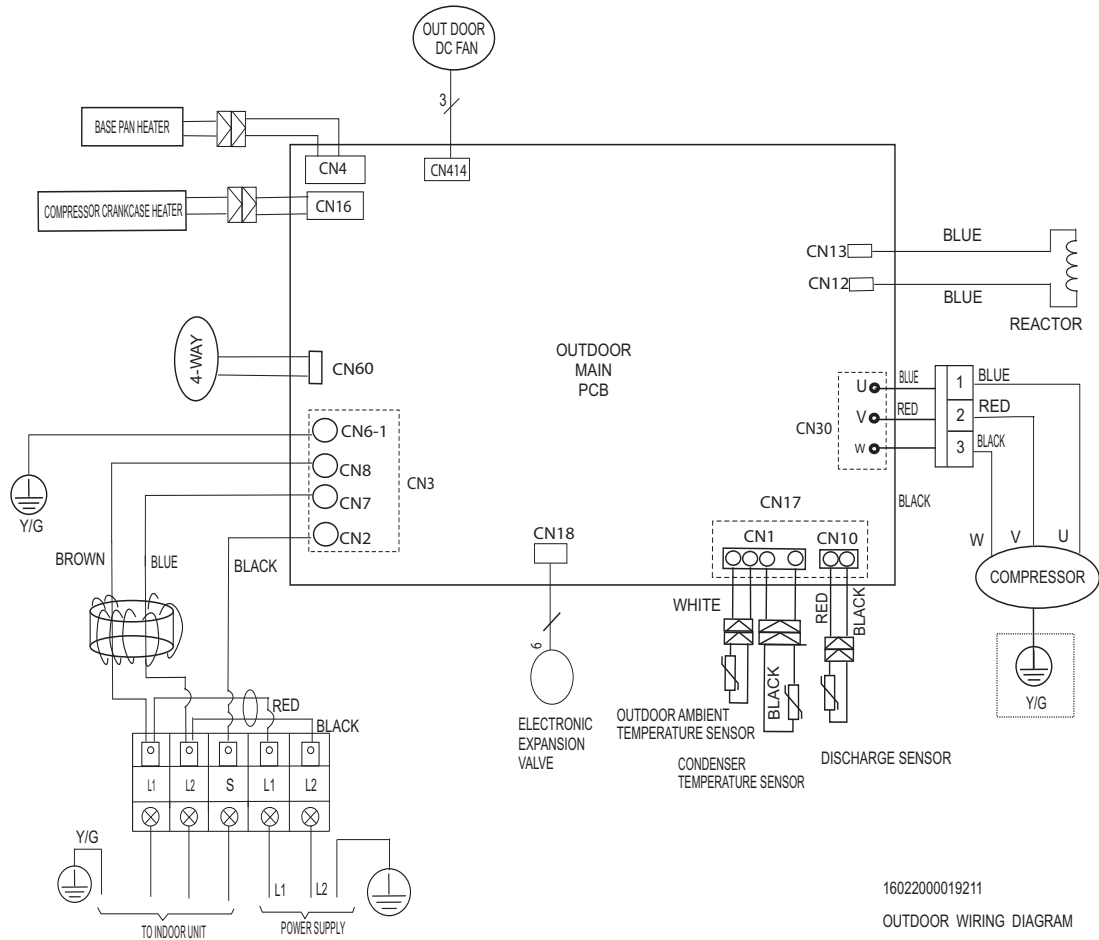


Fig. 5 – Wiring Diagram – Sizes 09K and 12K

Table 6 —Diagram Sizes 09K and 12K (208–230V)

CODE	PART NAME	CODE	PART NAME
CN2	Output: high voltage signal (to indoor unit)	CN12,CN13	Output: High voltage to reactor
CN7, 8	Input: 220 VAC High voltage (from indoor unit)	U V W	Output: Pulse (0–320VDC) to compressor
CN60	Output: 220 VAC for 4–way valve control	CN10	Input: Pin1–Pin2 (0–5V) from discharge temperature sensor
CN16	Output: 220 VAC High voltage to control crankcase heater	CN1	Input: Pin1, Pin3, Pin4, Pin5 (0–5V) from condenser and outdoor ambient temperature sensors
CN414	Output: Pulse (0–320VDC) to outdoor fan motor	CN6–1	Ground Connector
CN5 (CN4)	Output: 220 VAC High voltage to control base pan heater	CN18	Output:Pin5&6 (12V) to electronic expansion valve

Table 7 —Abbreviation

Abbreviation	Paraphrase
4–Way	Gas Valve Assembly/4–WAY VALVE
AC–FAN	Alternating Current FAN
DC–FAN	Direct Current FAN
CT1	AC Current Detector
COMP	Compressor
L–PRO	Low Pressure Switch
H–PRO	High Pressure Switch

FAN AND MOTOR SPECIFICATIONS

Table 8 — Fan and Motor Specifications

	UNIT Size		9K (208/230V)	12K (208/230V)
Outdoor Fan	Material		Glass Fiber + AS	
	Type		ZL-490*151*12-3KN	ZL-490*151*12-3KN
	Diameter	inch	19.29	19.29
	Height	inch	5.94	5.94
Outdoor Fan Motor	Model		ZKFN-50-8-2	ZKFN-50-8-2
	Volts	V	208/230	208/230
	Phase		1	
	Hertz	Hz	60	
	FLA		0.6	0.6
	Rated HP	HP	0.156	0.156
	Output	W	50	50
	Type		DC	
	Insulation Class		E	
	Safe Class		IPX4	
	Input	W	115	115
	Range of Current	Amps	0.5±10%	0.5±10%
	Rated Current	Amps	0.5	0.5
	Capacitor	µF	No Capacitor	
	Speed	rev/ min	900/850/750	900/850/750
	Rated RPM	rev/ min	900	900
	Max. Input	W	137	137

REFRIGERATION CYCLE DIAGRAM

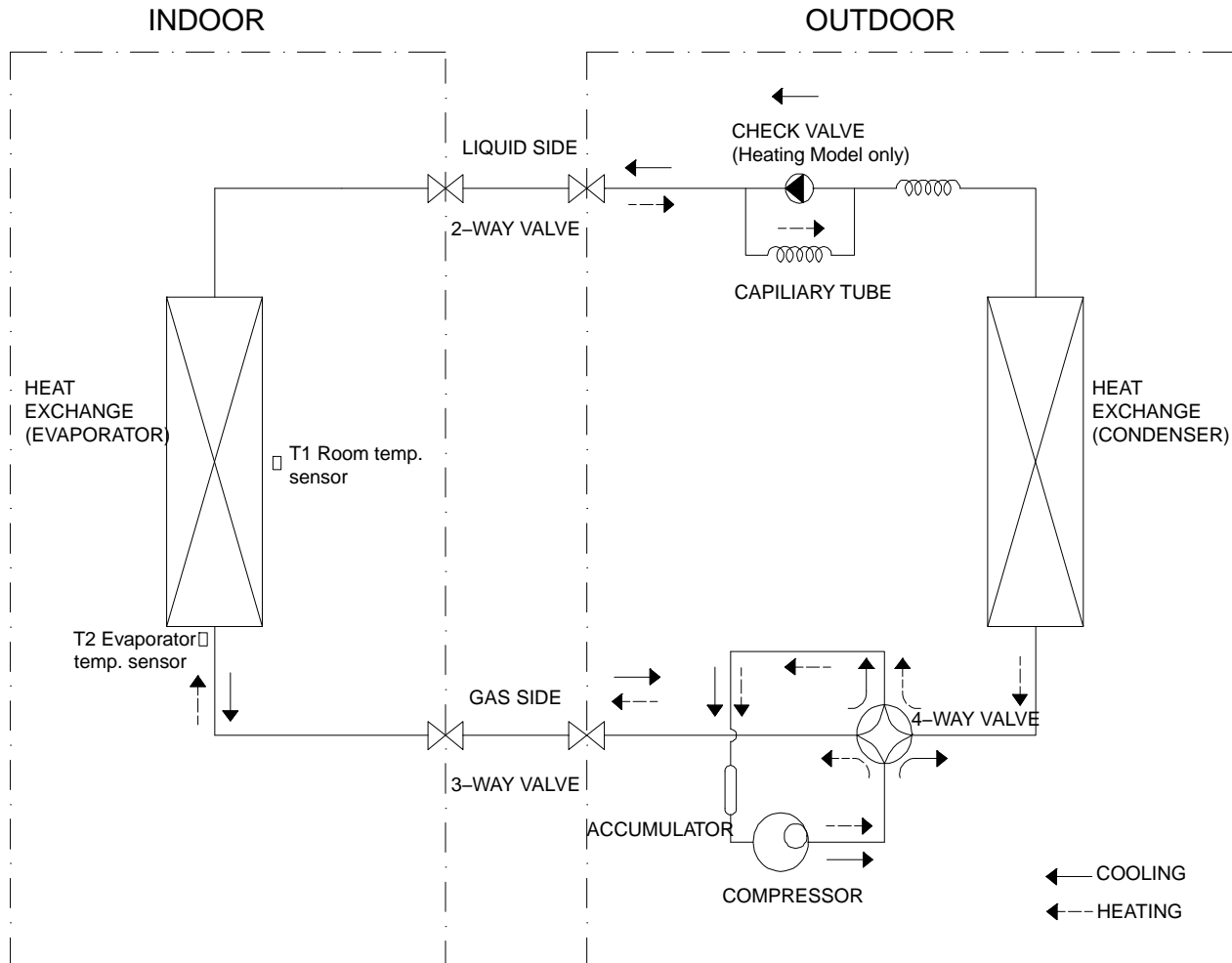


Fig. 6 — Heat Pumps

REFRIGERANT LINES

General Refrigerant Line Sizing

1. The outdoor units are shipped with a full charge of R410A refrigerant. All charges, line sizing, and capacities are based on runs of 25ft. (7.6 m). For runs over 25 ft. (7.6 m), consult the long–line applications section for the proper charge adjustments.
2. The minimum refrigerant line length between the indoor and outdoor units is 10 ft. (3 m).
3. Refrigerant lines **should not** be buried in the ground. If it is necessary to bury the lines, not more than 36 in (914 mm) should be buried. Provide a minimum 6in (152 mm) vertical rise to the service valves to prevent refrigerant migration.
4. Both lines must be insulated. Use a minimum of 1/2in. (12.7 mm) thick insulation. Closed–cell insulation is recommended in all long–line applications.
5. Special consideration should be given to isolating interconnecting tubing from the building structure. Isolate the the tubing so vibration or noise is not transmitted into the structure.

IMPORTANT: Both refrigerant lines must be insulated separately.

- The following maximum lengths are allowed:

Table 9 —Refrigerant Line Lengths ft. (m)

		System Size		9K (208–230V)	12K (208–230V)
Piping	Min. Piping Length	ft (m)		10 (3)	10 (3)
	Standard Piping Length	ft (m)		25 (7.5)	25 (7.5)
	Max. outdoor–indoor height difference	ft (m)		49 (15)	49 (15)
	Max. Piping Length with no additional refrigerant charge	ft (m)		25 (7.5)	25 (7.5)
	Max. Piping Length	ft (m)		98 (30)	98 (30)
	Additional refrigerant charge (between Standard – Max piping length)	Oz/ft (g/m)		0.16(15)	0.16(15)
	Gas Pipe (size – connection type)	in (mm)		3/8 (9.52)	1/2 (12.7)
	Liquid Pipe (size – connection type)	in (mm)		1/4 in (6.35)	1/4 in (6.35)
Refrigerant	Refrigerant Type			R410A	R410A
	Heat Pump Models Charge Amount	Lbs (kg)		3.5 (1.6)	3.5 (1.6)

Long Line Applications.:

1. No change in line–set diameter size is required.
2. Add refrigerant per Table 10.

Table 10 —Additional Charge

UNIT SIZE	TOTAL LINE LENGTH ft (m)		ADDITIONAL CHARGE, oz/ft. ft (m)	
	Min	Max	10 – 25 (3 – 8)	>25 – 98 (8 – 30)
9	10	98 (30)	None	0.16
12				

SYSTEM EVACUATION AND CHARGING

⚠ CAUTION

UNIT DAMAGE HAZARD

Failure to follow this caution may result in equipment damage or improper operation.

Never use the system compressor as a vacuum pump.

Refrigerant tubes and indoor coil should be evacuated using the recommended deep vacuum method of 500 microns. Always break a vacuum with dry nitrogen.

System Vacuum and Charge

NOTE: DO NOT open Service Valves until unit evacuation procedure is complete.

Using Vacuum Pump

1. Completely tighten all flare nuts and connect manifold gage charge hose to a charge port of the low side service valve. (See Fig. 7.)
2. Connect charge hose to vacuum pump.
3. Fully open the low side of manifold gage (see Fig. 8).
4. Start vacuum pump
5. Evacuate using the triple evacuation method.
6. After evacuation is complete, fully close the low side of manifold gage and stop operation of vacuum pump.
7. The factory charge contained in the outdoor unit is good for up to 25 ft. (8 m) of line length. For refrigerant lines longer than 25 ft (8 m), add refrigerant as specified in the Table 10.
8. Disconnect charge hose from charge connection of the low side service valve.
9. Fully open service valves B and A.
10. Securely tighten caps of service valves.

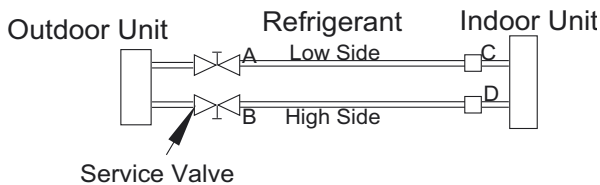


Fig. 7 – Service Valve

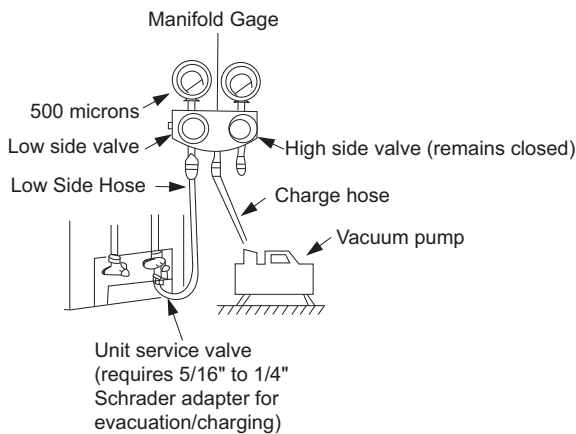


Fig. 8 – Manifold

Deep Vacuum Method

The deep vacuum method requires a vacuum pump capable of pulling a vacuum of 500 microns and a vacuum gage capable of accurately measuring this vacuum depth. The deep vacuum method is the most positive way of assuring a system is free of air and liquid water (see Fig. 9).

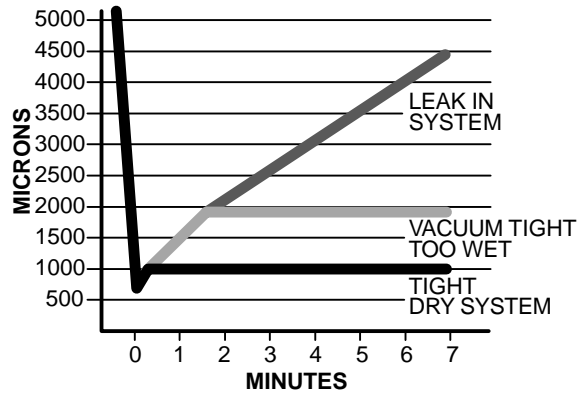


Fig. 9 – Deep Vacuum Graph

Triple Evacuation Method

The triple evacuation method should be used. Refer to Fig. 10 and proceed as follows:

1. Pump the system down to 1500 microns and allow the pump to continue operating for an additional 15 minutes.
2. Close the service valves and shut off the vacuum pump.
3. Connect a dry nitrogen cylinder and regulator to the system and break vacuum until the system reaches 2 psig.
4. Close the service valve and allow the system to stand for 1hr. During this time, the dry nitrogen can diffuse throughout the system absorbing moisture.
5. Pump the system down to 1000 microns.
6. Break the vacuum with dry nitrogen (2 psig).
7. Pump the system down to 500 microns.
8. Perform the hold test for 30 minutes.

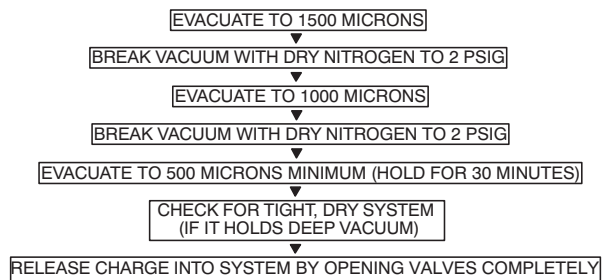


Fig. 10 – Triple Evacuation Method

Final Tubing Check

IMPORTANT: Check to be certain factory tubing on both indoor and outdoor unit has not shifted during shipment. Ensure tubes are not rubbing against each other or any sheet metal. Pay close attention to feeder tubes, making sure wire ties on feeder tubes are secure and tight.

OPERATION MODES AND FUNCTIONS

Abbreviation

Table 11 —Unit Element Abbreviations

Abbreviation	Element
T1	Indoor room temperature
T2	Evaporator Coil temperature
T3	Condenser Coil temperature
T4	Outdoor ambient temperature
Tsc	Adjusted setting temperature
TP	Compressor discharge temperature

Safety Features

Compressor Three–Minute Delay at Restart

Compressor functions are delayed for up to ten seconds upon the first start–up of the unit, and are delayed for up to three minutes upon subsequent unit restarts.

Automatic shutoff based on discharge temperature

If the compressor discharge temperature exceeds 226°F (108°C) for nine seconds, the compressor ceases operation.

Automatic shutoff based on fan speed

If the indoor fan speed registers below 300RPM or over 1500RPM for an extended period of time, the unit ceases operation and the corresponding error code is displayed on the indoor unit.

Inverter module protection

The inverter module has an automatic shutoff mechanism based on the unit’s current, voltage, and temperature. If automatic shutoff is initiated, the corresponding error code is displayed on the indoor unit and the unit ceases operation.

Indoor fan delayed operation

- When the unit starts, the louver is automatically activated and the indoor fan will operate after a period of setting time or when the louver is in place.
- If the unit is in **HEATING** mode, the indoor fan is regulated by the anti–cold wind function.

Compressor Preheating

Preheating is automatically activated when the T4 sensor is lower than setting temperature.

Sensor redundancy and automatic shutoff

- If one temperature sensor malfunctions, the air conditioner continues operation and displays the corresponding error code, allowing for emergency use.
- When more than one temperature sensor malfunctions, the air conditioner ceases operation.

Display Function

Unit Display Functions

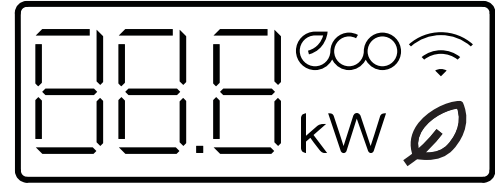


Fig. 11 – Unit Display Functions

Table 12 —Unit Function Displays

Function	Display
Temperature	Set temperature value
Temperature (FAN and DRYING mode)	Room temperature
Activation of Timer ON, Fresh, Swing, Turbo, or Silent	ON (3s)
Cancellation of Timer OFF, Fresh, Swing, Turbo, or Silent	OF (3s)
Defrost	dF
Warming in heating mode	cF
Self-clean	SC
Heating in room temp under 46°F (8°C) or 54°F (12°C)	FP
Fresh (Not available on these systems)	
ECO function	eco
WiFi control (Not available on these systems)	
The current operation power (Not available on these systems)	kW

FAN Mode

When the **FAN** mode is activated:

- The outdoor fan and compressor stop.
- Temperature control is disabled and the indoor room temperature is displayed.
- The indoor fan speed can be set to 1%~100%, or **AUTO**.
- The louver operations are identical to those in **COOLING** mode.
- Auto fan: In **FAN-ONLY** mode, the AC operates the same as auto fan in the **COOLING** mode with the temperature set at 75°F 24°C (Tsc =75°F (24°C)).

COOLING Mode

Compressor Control

Reach the configured temperature:

1. When the compressor runs continuously for less than 120 minutes.
 - If the following conditions are satisfied, the compressor ceases operation.
 - While the calculated frequency(fb) is less than the minimum limit frequency(FminC).
 - While protective time is more than or equal to ten minutes.
 - While T1 is lower than or equal to (Tsc-CDIFTEMP 31°F (-0.5°C))

NOTE: CDIFTEMP is the EEPROM setting parameter. It is 35.6°F (2°C) usually.

2. When the compressor runs continuously for more than 120 minutes.
 - If the following conditions are satisfied, the compressor ceases operation.
 - When calculated frequency(fb) is less than minimum limit frequency(FminC).
 - When protective time is more than or equal to ten minutes.
 - When T1 is lower than or equal to (Tsc-CDIFTEMP).

NOTE: CDIFTEMP is the EEPROM setting parameter. It is 35.6°F (2°C) usually.

3. If one of the following conditions is satisfied, regardless of time.
 - Compressor running frequency is more than the test frequency.
 - When the compressor running frequency is equal to the test frequency, T4 is more than 59°F (15°C) or no T4 or T4 fault.
 - Change setting temperature
 - Turbo or sleep function on/off
 - Various frequency limit shutdown occurs

NOTE: CDIFTEMP is EEPROM setting parameter. It is 35.6°F (2°C) usually.

Indoor Fan Control

1. In the **COOLING** mode, the indoor fan operates continuously. The fan speed can be set to 1%–100%, or **AUTO**.

2. **AUTO** fan

- Descent Curve
 - When T1-Tsc is lower than or equal to 38°F (3.5°C), fan speed reduces to 80%;
 - When T1-Tsc is lower than or equal to 34°F (1°C), fan speed reduces to 60%;
 - When T1-Tsc is lower than or equal to 33°F (0.5°C), fan speed reduces to 40%;
 - When T1-Tsc is lower than or equal to 32°F (0°C), fan speed reduces to 20%;
 - When T1-Tsc is lower than or equal to 31°F (-0.5°C), fan speed reduces to 1%.
- Rise Curve
 - When T1-Tsc is higher than 32°F (0°C), fan speed increases to 20%;
 - When T1-Tsc is higher than 33°F (0.5°C), fan speed increases to 40%;
 - When T1-Tsc is higher than 34°F (1°C), fan speed increases to 60%;
 - When T1-Tsc is higher than 35°F (1.5°C), fan speed increases to 80%;
 - When T1-Tsc is higher than 39°F (4°C), fan speed increases to 100%.

Outdoor Fan Control

- The outdoor unit runs at a different fan speed according to T4 and the compressor running frequency.
- For different outdoor units, the fan speeds are different.

Condenser Temperature Protection

When the condenser temperature exceeds a configured value, the compressor ceases operations.

Evaporator Temperature Protection

When the evaporator temperature drops below a configured value, the compressor and outdoor fan ceases operations.

HEATING Mode

Compressor Control

1. Reach the configured temperature:
 - If the following conditions are satisfied, the compressor ceases operation.
 - While the calculated frequency(fb) is less than the minimum limit frequency(FminC).
 - When the protective time is more than or equal to ten minutes.
 - When T1 is higher than or equal to Tsc+HDIFTEMP2.

NOTE: HDIFTEMP2 is the EEPROM setting parameter. It is 35.6°F (2°C) usually.

- If one of the following conditions is satisfied, regardless of time.
 - Compressor running frequency is more than test frequency.
 - When the compressor running frequency is equal to the test frequency, T4 is more than 59°F (15°C) or no T4 or T4 fault.
 - Change the setting temperature.
 - Turbo or sleep function on or off.
2. When the current is higher than the predefined safe value, the surge protection is activated, causing the compressor to cease operations.


Indoor Fan Control

1. In the **HEATING** mode, the indoor fan operates continuously. The fan speed can be set to 1%–100%, or muted.
2. **AUTO** fan
 - Rise curve
 - When T1–Tsc is higher than 29°F (–1.5°C), fan speed reduces to 80%;
 - When T1–Tsc is higher than 32°F (0°C), fan speed reduces to 60%;
 - When T1–Tsc is higher than 33°F (0.5°C), fan speed reduces to 40%;
 - When T1–Tsc is higher than 34°F (1°C), fan speed reduces to 20%.
 - Descent curve
 - When T1–Tsc is lower than or equal to 33°F (0.5°C), fan speed increases to 20%;
 - When T1–Tsc is lower than or equal to 32°F (0°C), fan speed increases to 60%;
 - When T1–Tsc is lower than or equal to 29°F (–1.5°C), fan speed increases to 80%;
 - When T1–Tsc is lower than or equal to 27°F (–3°C), fan speed increases to 100%.

Outdoor Fan Control

- The outdoor unit runs at a different fan speed according to T4 and compressor running frequency.
- For different outdoor units, the fan speeds differ.

DEFROSTING Mode

- The unit enters defrosting mode according to changes in the temperature value of T3, T4 as well as the compressor running time.
- In defrosting mode, the compressor continues to run, the indoor and outdoor motor will cease operation, the defrost light of the indoor unit will turn on, and the “” symbol appears.
- If any one of the following conditions is satisfied, defrosting ends and the machine switches to the normal **HEATING** mode:
 - T3 rises above TCDE1°C.
 - T3 maintained above TCDE2°C for 80 seconds.
 - Unit runs for 15 minutes consecutively in the **DEFROSTING** mode.

Evaporator Temperature Protection

- **Off:** Compressor stops.
- **Decrease:** Decrease the running frequency to the lower level per 20 seconds.
- **Hold:** Keep the current frequency.
- **Resume:** No limitation for frequency.

AUTO Mode

- This mode can be selected with the remote controller and the setting temperature can be changed between 61°F~86°F (16°C~30°C).
- In the **AUTO** mode, the machine selects the **COOLING**, **HEATING**, **AUTO-DRYING** or **FAN-ONLY** mode on the basis of T1, Ts, T4 and relative humidity.
- If the setting temperature is modified, the machine selects a new running function.

DRY Mode

In the DRY mode, the air conditioner operates the same as auto fan in the COOLING mode.

1. Mute function is active.
 - All protections are activated and operate the same as they do that in **COOLING** mode.
2. Low Room Temperature Protection
 - If the room temperature is lower than 10°C, the compressor ceases operations and does not resume until the room temperature exceeds 12°C.

Forced Operation Function

- Forced **COOLING** Mode:

The compressor and outdoor fan continue to run and the indoor fan runs at rated speed. After running for 30 minutes, the air conditioner switches to **AUTO** mode with a preset temperature of 24°C.

- Forced **AUTO** Mode:

Forced auto mode operates the same as normal **AUTO** mode with a preset temperature of 24°C.

- The unit exits the forced operation when it receives the following signals:
 - Switch on
 - Switch off
 - Timer on
 - Timer off
 - Changes in:
 - Mode
 - Fan Speed
 - Setting Temperature

Timer Function

- The Timing range is 24 hours.
- Timer on. The machine will turn on automatically when reaching the setting time.
- Timer off. The machine will turn off automatically when reaching the setting time.
- Timer on/off. The machine will turn on automatically when reaching the setting “on” time, and then turn off automatically when reaching the setting “off” time.
- Timer off/on. The machine will turn off automatically when reaching the setting “off” time, and then turn on automatically when reaching the setting “on” time.
- The timer function will not change the AC current operation mode. Suppose AC is off now, it will not start up firstly after setting the “timer off” function. And when reaching the setting time, the timer LED will be off and the AC running mode has not been changed.
- The setting time is relative time.
- The AC will quit the timer function when it has malfunction

SLEEP Function

- The **SLEEP** function is available in **COOLING**, **HEATING**, or **AUTO** modes.
- The operational process for sleep mode is as follows:
 - When cooling, the temperature rises 34°F (1°C) (to not higher than 86°F (30°C)) every hour. After 2 hours, the temperature stops rising and the indoor fan is fixed at low speed.
 - When heating, the temperature decreases 34°F (1°C) (to not lower than 61°F (16°C)) every hour. After 2 hours, the temperature stops decreasing and the indoor fan is fixed at low speed. Anti-cold wind function takes priority.
- The operating time for the **SLEEP** mode is 8 hours, after which, the unit exits this mode and turns off.
- The timer setting is available in this mode.

Auto-Restart Function

- The indoor unit has an auto-restart module that allows the unit to restart automatically. The module automatically stores the current settings and, in the case of a sudden power failure, will restore those setting automatically within 3 minutes after power returns.
- If there is a power failure while the unit is running, the compressor starts 3 minutes after the unit restarts. If the unit was already off before the power failure, the unit stands by.

46F (8°C) Heating

In the **HEATING** mode, the temperature can be set to as low as 46°F (8°C), preventing the indoor area from freezing if unoccupied during severe cold weather.

ECO Function

- Used to enter the energy efficient mode.
 - Under the **COOLING** mode, press **ECO**, the remote controller adjusts the temperature automatically to 75°F (24°C), **AUTO** fan speed to save energy (however only if the set temperature is less than 75°F (24°C)). If the set temperature is more than 75°F (24°C) and 86°F (30°C), press **ECO**, the fan speed will change to **AUTO**, the set temperature will remain unchanged.
- When AC receives signals, such as switch off, Turbo operation, Silence operation, Self clean operation, Forced **COOLING** operation, mode setting, Sleeping mode, or adjusting the set temperature to less than 75°F (24°C), it will exit the **ECO** operation.
- Operation time in **ECO** mode is 8 hours. After 8 hours the air conditioner exits this mode.
- If there is a malfunctioning temperature sensor in, the air conditioner will exit **ECO** mode.
- The indoor fan runs at auto fan when it enters the **ECO** mode. The setting temperature and setting fan speed can be changed with the remote controller.

Self Clean

- Press **SELF CLEAN** when the unit is in the **COOLING** or **DRYING** mode, the indoor unit will run at the low fan speed for 16 minutes then turn off.
- **SELF CLEAN** keeps the indoor unit dry and prevents mold growth.

Follow Me

- If you press **FOLLOW ME** on the remote controller, the indoor unit will beep. This indicates the **FOLLOW ME** function is active.
- Once active, the remote controller will send a signal every 3 minutes, with no beeps. The unit automatically sets the temperature according to the measurements from the remote controller.
- The unit will only change modes if the information from the remote controller makes it necessary, not from the unit's temperature setting.
- If the unit does not receive a signal for 7 minutes or you press **FOLLOW ME** the function turns off. The unit regulates temperature based on its own sensor and settings.

Silence

Press **SILENCE** on the remote controller to enable the **SILENCE** function. While this function is active, the indoor unit will run at faint breeze (1% fan speed), which reduces noise to the lowest possible level.

Intelligent Eye

With the built-in infrared sensor, the indoor unit detects human movement. The compressor operates in a low frequency if you leave the room for 30 minutes. The compressor operates in a lower frequency if you leave the room for 120 minutes, and resumes automatically when you come back, which helps save energy.

Information Inquiry

To enter information inquiry status, complete the following procedure within ten seconds:

- Press **LED** 3 times.
- Press **SWING** 3 times.
- If successful, you will hear beeps for two seconds.
- Use **LED** and **SWING** to cycle through the information displayed.
- Press **LED** to display the next code in the sequence. Press **SWING** to display the previous code.

Table 13 displays the information codes. The screen displays the code for two seconds, then the information for 25 seconds.

Table 13 —Information Codes

Displayed Code	Explanation	Additional Notes
T1	T1	T1 temperature
T2	T2	T2 temperature
T3	T3	T3 temperature
T4	T4	T4 temperature
TP	TP	TP temperature
Targeted Frequency	FT	Targeted Frequency
Actual Frequency	TR	Actual Frequency
Compressor Current	dL	N/A
Outdoor AC Voltage	UO	N/A
Indoor capacity test	Sn	N/A
Reserve	--	Running mode
Outdoor Fan Speed	Pr	Outdoor fan speed
EXV opening angle	LR	EXV opening angle
Indoor fan speed	IR	Indoor fan speed
Indoor humidity	HU	N/A
Adjusted setting temperature	TT	N/A
Indoor dust concentrations	DT	N/A
WIFI signal strength	IF	N/A
GA algorithm frequency	OT	N/A

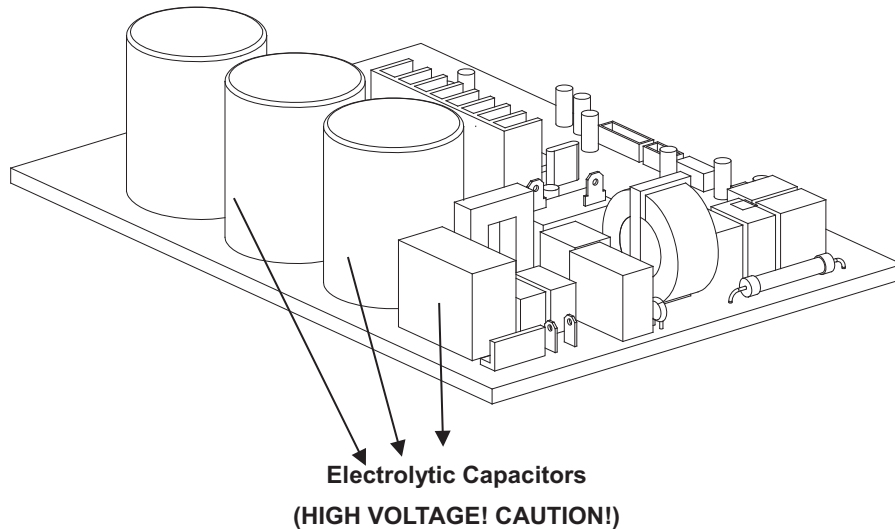
TROUBLESHOOTING

Safety

⚠ WARNING

UNIT DAMAGE HAZARD

Electricity remains in capacitors even when the power supply is off. Ensure the capacitors are fully discharged before troubleshooting.



**Electrolytic Capacitors
(HIGH VOLTAGE! CAUTION!)**

Fig. 12 – Electrolytic Capacitors

For other models, please connect discharge resistance (approximately 100Ω 40W) or a soldering iron (plug) between the +, – terminals of the electrolytic capacitor on the contrary side of the outdoor PCB.

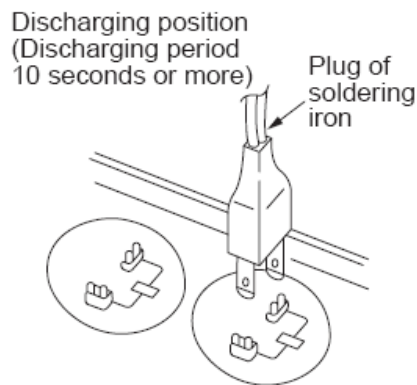


Fig. 13 – Discharge Position

NOTE: Fig. 13 is for reference only. Actual appearances may vary.

TROUBLESHOOTING (CONT)

Error Display (Indoor Unit)

When the indoor unit encounters a recognized error, the indicator light flashes in a corresponding series, the timer display may turn on or begin flashing, and an error code displays. These error codes are described in Table 14.

Table 14 —Error Codes

Display	Error Information	Solution
E0/EA	Indoor unit EEPROM parameter error	Page 24
E1	Indoor / outdoor units communication error	Pages 25 – 26
E3	The indoor fan speed is operating outside of the normal range	Page 27
E4	Indoor room temperature sensor T1 is in open circuit or has short circuited	Page 33
E5	Evaporator coil temperature sensor T2 is in open circuit or has short circuited	Page 33
EB	Communication error between the indoor PCB and display board	Page 34
EF	Intelligent eye module error	Page 29
F0	Overload current protection	Page 35
F1	Outdoor ambient temperature sensor T4 open circuit or short circuit	Page 33
F2	Condenser coil temperature sensor T3 is in open circuit or has short circuited	Page 33
F3	Compressor discharge temperature sensor TP open circuit or short circuit	Page 33
F4	Outdoor unit EEPROM parameter error	Page 24
F5	The outdoor fan speed is operating outside of the normal range	Page 27
P0	IPM malfunction or IGBT over—strong current protection	Page 36
P1	Over voltage or over low voltage protection	Page 30
P2	High temperature protection of IPM module	Page 31
P4	Inverter compressor drive error	Page 32

For other codes

The display board may show a garbled code or a code undefined by the service manual. Ensure that this code is not a temperature reading.

Troubleshooting

Test the unit using the remote control. If the unit does not respond to the remote, the indoor PCB requires replacement. If the unit responds, the display board requires replacement.

ERROR DIAGNOSIS AND TROUBLESHOOTING WITHOUT ERROR CODE

⚠ WARNING

UNIT DAMAGE HAZARD

Be sure to turn off unit before any maintenance to prevent damage or injury.

Table 15—Remote Maintenance

Remote Maintenance	Electrical Circuit							Refrigerant Circuit							Others						
	Possible causes of trouble	Power failure	The main power tripped	Loose connections	Faulty transformer	The voltage is too high or too low	The remote control is powered off	Broken remote control	Dirty air filter	Dirty condenser fins	The setting temp is higher/lower than the room's (cooling/heating)	The ambient temp. is too high/low when the mode is cooling/heating	Fan mode	SILENCE function is activated (optional function)	Frosting and defrosting frequently	Heavy load condition	Loose hold down bolts and/or screws	Not air tight	Air inlet or outlet of either unit is blocked	Interference from cell phones towers and remote boosters	Shipping plates remained attached
Unit will not start	☆	☆	☆	☆																	
Operation is erratic, unpredictable or unit is unresponsive																				☆	
Cannot set desired temp.						☆	☆														
Unit is on but the wind is not cold (hot)										☆	☆	☆									
Unit runs, but shortly stops					☆					☆	☆										
The unit starts up and stops often					☆						☆			☆				☆			
Unit runs continuously however insufficient cooling (heating)								☆	☆	☆	☆		☆		☆		☆	☆			
Cool can not change to heat																					
Unit is noisy																☆					☆
Unit emits bad odor								☆													
Test method/remedy	Test voltage	Close the power switch	Inspect connections – tighten	Change the transformer	Test voltage	Replace the battery of the remote control	Replace the remote control	Clean or replace	Clean	Adjust the setting temp.	Turn the AC later	Adjust to cool mode	Turn off SILENCE function.	Turn the AC later	Check the heat load	Tighten bolts or screws	Close all windows and doors	Remove the obstacles	Reconnect the power or press ON/OFF button on remote control to restart	Remove them	

ERROR DIAGNOSIS AND TROUBLESHOOTING WITHOUT ERROR CODE (CONT)

Table 16—Field Maintenance

Field Maintenance	Electrical Circuit															
	Possible causes of trouble	Power failure	Blown fuse or varistor	Loose connections	Shorted or broken wires	Safety device opens	Faulty thermostat/ room temp sensor	Wrong setting place of temp sensor	Faulty transformer	Shorted or open capacitor	Faulty magnetic contact for compressor	Faulty magnetic contact for fan	Low voltage	Faulty stepping motor	Shorted or grounded compressor	Shorted or grounded fan motor
Unit will not start	☆	☆	☆	☆	☆			☆								
Compressor will not start however the fan runs					☆					☆	☆				☆	
Compressor and condenser (outdoor) fan will not start					☆						☆					
Evaporator (indoor) fan will not start					☆					☆		☆				☆
Condenser (outdoor) fan will not start					☆					☆		☆				☆
Unit runs but shortly stops											☆		☆			
Compress or short cycles due to overload											☆		☆			
High discharge pressure																
Low discharge pressure																
High suction pressure																
Low suction pressure																
Unit runs continuously but insufficient cooling																
Too cool							☆	☆								
Compressor is noisy																
Horizontal louver can not revolve				☆	☆									☆		
Test method / remedy	Test voltage	Inspect fuse type & size	Inspect connections - tighten	Test circuits with tester	Test continuity of safety device	Test continuity of thermostat / sensor & wiring	Place the temp. sensor at the central of air inlet grille	Check control circuit with tester	Check capacitor with tester	Test continuity of coil & contacts	Test continuity of coil & contacts	Test voltage	Replace the stepping motor	Check resistance with Megger tester	Check resistance with Megger tester	

ERROR DIAGNOSIS AND TROUBLESHOOTING WITHOUT ERROR CODE (CONT)

Table 17—Field Maintenance (Con't)

Field Maintenance	Refrigerant Circuit																		
	Compressor stuck	Refrigerant Shortage	Restricted liquid line	Dry air filter	Dirty evaporator coil	Insufficient air through evaporator coil	Refrigerant overcharge	Dirty or partially blocked condenser	Air or non-condensable gas in refrigerant cycle	Short cycling of condensing air	High temp. condensing medium	Insufficient condensing medium	Broken compressor internal parts	Insufficient compressor	Expansion valve obstructed	Expansion valve or capillary tube closed completely	Leaking power element on expansion valve	Power installation of feeler bulb	
Unit will not start																			
Compressor will not start however the fan runs	☆																		
Compressor and condenser (outdoor) fan will not start																			
Evaporator (indoor) fan will not start																			
Condenser (outdoor) fan will not start																			
Unit runs but shortly stops		☆	☆				☆	☆								☆	☆		
Compress or short cycles due to overload		☆					☆	☆											
High discharge pressure							☆	☆	☆	☆	☆	☆							
Low discharge pressure		☆												☆					
High suction pressure							☆							☆					☆
Low suction pressure		☆	☆	☆	☆	☆									☆	☆	☆		
Unit runs continuously but insufficient cooling		☆	☆	☆	☆	☆		☆	☆	☆				☆					
Too cool																			
Compressor is noisy							☆						☆						
Horizontal louver can not revolve																			
Test method / remedy	Replace the compressor	Leak test	Replace the restricted part	Clean or replace	Clean coil	Check fan	Change charged refrigerant volume	Clean condenser or remove obstacle	Purge, evacuate and recharge	Remove obstruction to air flow	Remove obstruction in air or water flow	Remove obstruction in air or water flow	Replace compressor	Test compressor efficiency	Replace valve	Replace valve	Replace valve	Fix feeler bulb	

ERROR DIAGNOSIS AND TROUBLESHOOTING WITHOUT ERROR CODE (CONT)

Table 18—Field Maintenance (Con't)

Field Maintenance	Others				
Possible causes of trouble	Heavy load condition	Loosen hold down bolts and/or screws	Shipping plates remain attached	Poor choices of capacity	Contact of piping with other piping or external plate
Unit will not start					
Compressor will not start however the fan runs					
Compressor and condenser (outdoor) fan will not start					
Evaporator (indoor) fan will not start					
Condenser (outdoor) fan will not start					
Unit runs but shortly stops					
Compress or short cycles due to overload					
High discharge pressure					
Low discharge pressure					
High suction pressure	☆				
Low suction pressure					
Unit runs continuously but insufficient cooling	☆			☆	
Too cool					
Compressor is noisy		☆	☆		☆
Horizontal louver can not revolve					
Test method / remedy	Check heat load	Tighten bolts or screws	Remove them	Choose AC of larger capacity or add the number of units	Fix piping as as not to touch each other or external pipe

QUICK MAINTENANCE BY ERROR CODE

If you do not have the time to test whether specific parts are faulty, you can directly change the required parts according the error code.

You can find the parts to replace by error code in Tables 19 and 20.

Table 19—Error Codes

Part Requiring Replacement	Error Code								
	E0	EA	E1	E3	E4	E5	EB	EF	F0
Indoor PCB	✓	✓	✓	✓	✓	✓	✓	x	x
Outdoor PCB	x	x	✓	x	x	x	x	x	✓
Display Board	x	x	x	x	x	x	✓	x	x
Reactor	x	x	✓	x	x	x	x	x	x
Indoor fan motor	x	x	x	✓	x	x	x	x	x
Outdoor fan motor	x	x	x	x	x	x	x	x	x
Temperature sensor	x	x	x	x	✓	✓	x	x	x
T2 Sensor	x	x	x	x	x	x	x	x	x
Additional refrigerant	x	x	x	x	x	x	x	x	x
Compressor	x	x	x	x	x	x	x	x	✓
IPM board	x	x	x	x	x	x	x	x	x
Outdoor unit	x	x	x	x	x	x	x	x	✓
Intelligent Eye	x	x	x	x	x	x	x	✓	x

Table 20—Error Codes

Part Requiring Replacement	Error Code								
	F1	F2	F3	F4	F5	P0	P1	P2	P4
Indoor PCB	x	x	x	x	x	x	x	x	x
Outdoor PCB	✓	✓	✓	✓	✓	✓	✓	✓	✓
Display Board	x	x	x	x	x	x	x	x	x
Reactor	x	x	x	x	x	x	✓	x	x
Indoor fan motor	x	x	x	x	x	x	x	x	x
Outdoor fan motor	x	x	x	x	✓	x	x	x	x
Temperature sensor	✓	✓	✓	x	x	x	x	x	x
T2 Sensor	x	x	x	x	x	x	x	x	x
Additional refrigerant	x	x	x	x	x	x	x	x	x
Compressor	x	x	x	x	x	✓	x	x	✓
IPM board	x	x	x	x	x	✓	✓	x	✓
Outdoor unit	x	x	x	x	x	x	x	x	x
Intelligent Eye	x	x	x	x	x	x	x	x	x

TROUBLESHOOTING BY ERROR CODE

Common Check Procedures

Temperature Sensor Check

Disconnect the temperature sensor from PCB, measure the resistance value with a tester.

Temperature Sensors.

Room temp. (T1) sensor,

Indoor coil temp. (T2) sensor,

Outdoor coil temp.(T3) sensor,

Outdoor ambient temp.(T4) sensor,

Compressor discharge temp.(Tp) sensor.

Measure the resistance value of each winding by using the multi-meter.

Compressor Checking

Measure the resistance value of each winding by using the tester.

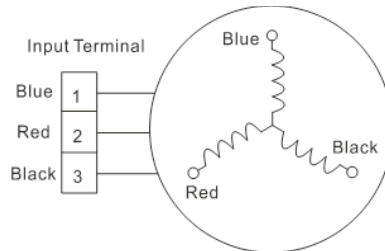


Fig. 14 – Compressor Checking

Table 21—Compressor Checking

Position	Resistance Value
	ATM115D43UFZ2
Blue – Red	1.87Ω(20°C/68°F)
Blue – Black	
Red – Blue	



Fig. 15 – Compressor Checking

IPM Continuity Check

Turn off the power, let the large capacity electrolytic capacitors discharge completely, and dismount the IPM. Use a digital tester to measure the resistance between P and UVWN; UVW and N.

Table 22—IPM Continuity Check

Digital Tester		Normal Resistance Value	Digital Tester		Normal Resistance Value
(+) Red	(-) Black		(+) Red	(-) Black	
P	N	∞ (Several MΩ)	U	N	∞ (Several MΩ)
	U		V		
	V		W		
	W		(+) Red		

DIAGNOSIS AND SOLUTION

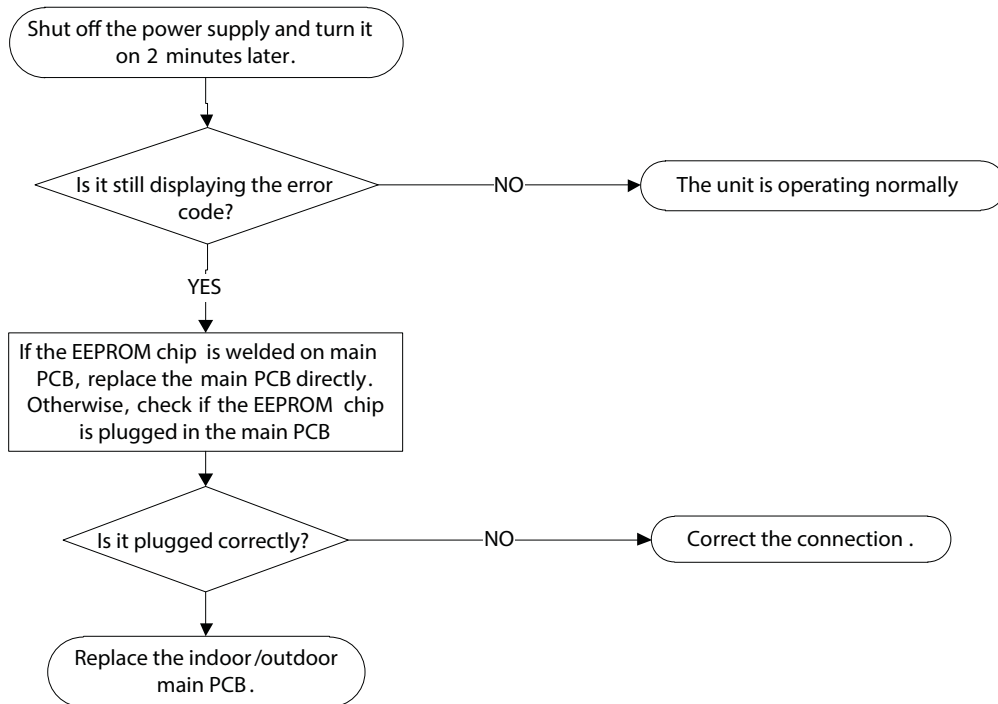
E0/F4/EA (EEPROM Parameter Error)

Description: Indoor or outdoor PCB main chip does not receive feedback from EEPROM chip.

Recommended parts to prepare:

- Indoor PCB
- Outdoor PCB

Troubleshooting and Repair:



Remarks:

The location of the EEPROM chip on the indoor and outdoor PCB is shown in Figures 16 and 17:

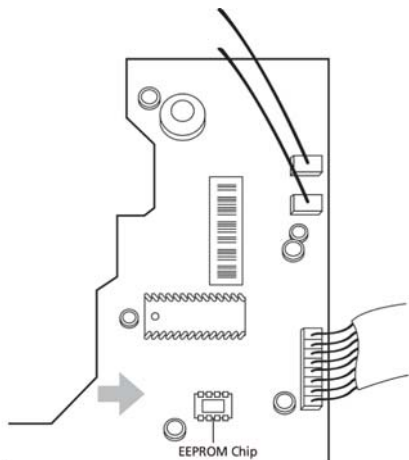


Fig. 16 – EEPROM Chip (Indoor Unit)

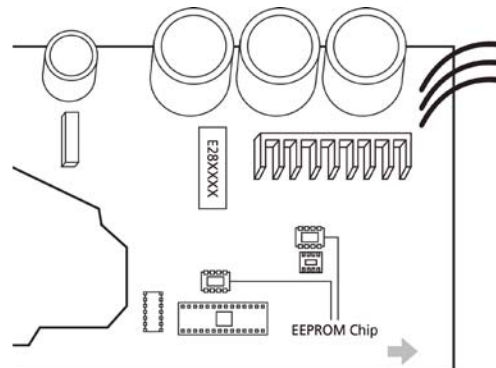


Fig. 17 – EEPROM Chip (Outdoor Unit)

NOTE: These images are for reference only.

DIAGNOSIS AND SOLUTION (CONT)

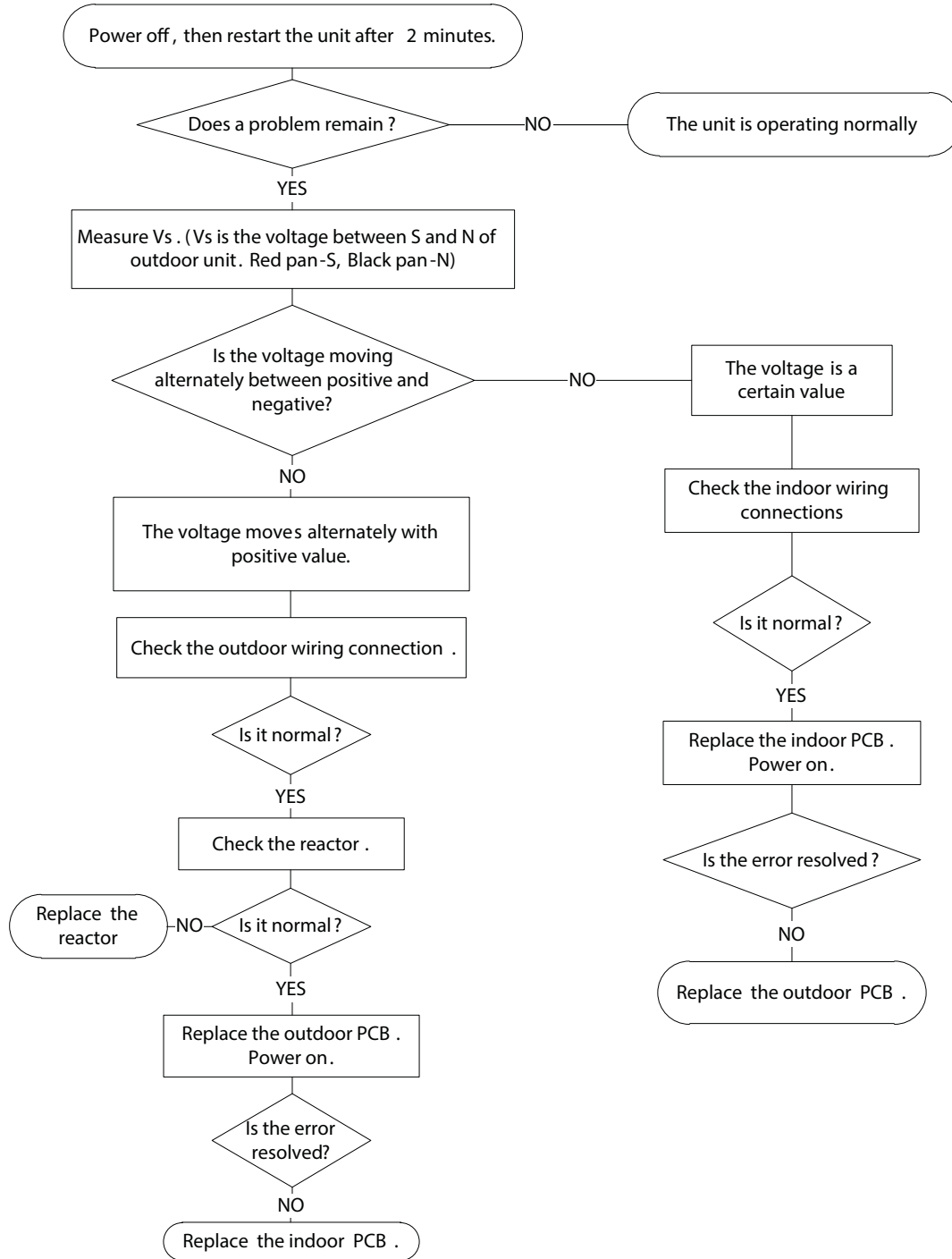
E1 (Indoor and Outdoor Unit Communication Error)

Description: The indoor unit has not received feedback from the outdoor unit for 150 seconds, four consecutive times.

Recommended parts to prepare:

- Indoor PCB
- Outdoor PCB
- Reactor

Troubleshooting and Repair:



DIAGNOSIS AND SOLUTION (CONT)

E1 (Indoor and Outdoor Unit Communication Error) (Cont)

Remarks:

- Use a multimeter to test the DC voltage between the outdoor unit's 2 port and 3 port. The red pin of multimeter connects with the 2 port while the black pin is for 3 port.
- When the air conditioner is normal running, the voltage is moving alternately as positive values and negative values.
- If the outdoor unit has a malfunction, the voltage has always been the positive value.
- If the indoor unit has malfunction, the voltage is a fixed value.

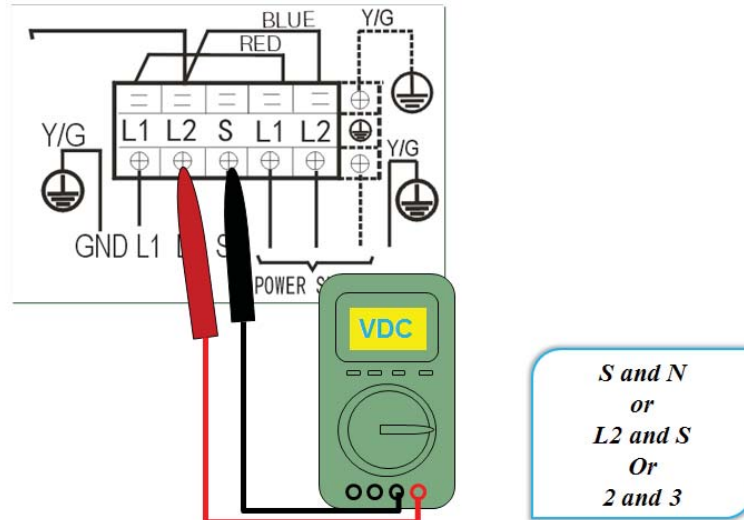


Fig. 18 – Multimeter

- Use a multimeter to test the resistance of the reactor that does not connect with the capacitor.
- The normal value should be around zero ohm. Otherwise, the reactor must have malfunction.



Fig. 19 – Multimeter

DIAGNOSIS AND SOLUTION (CONT)

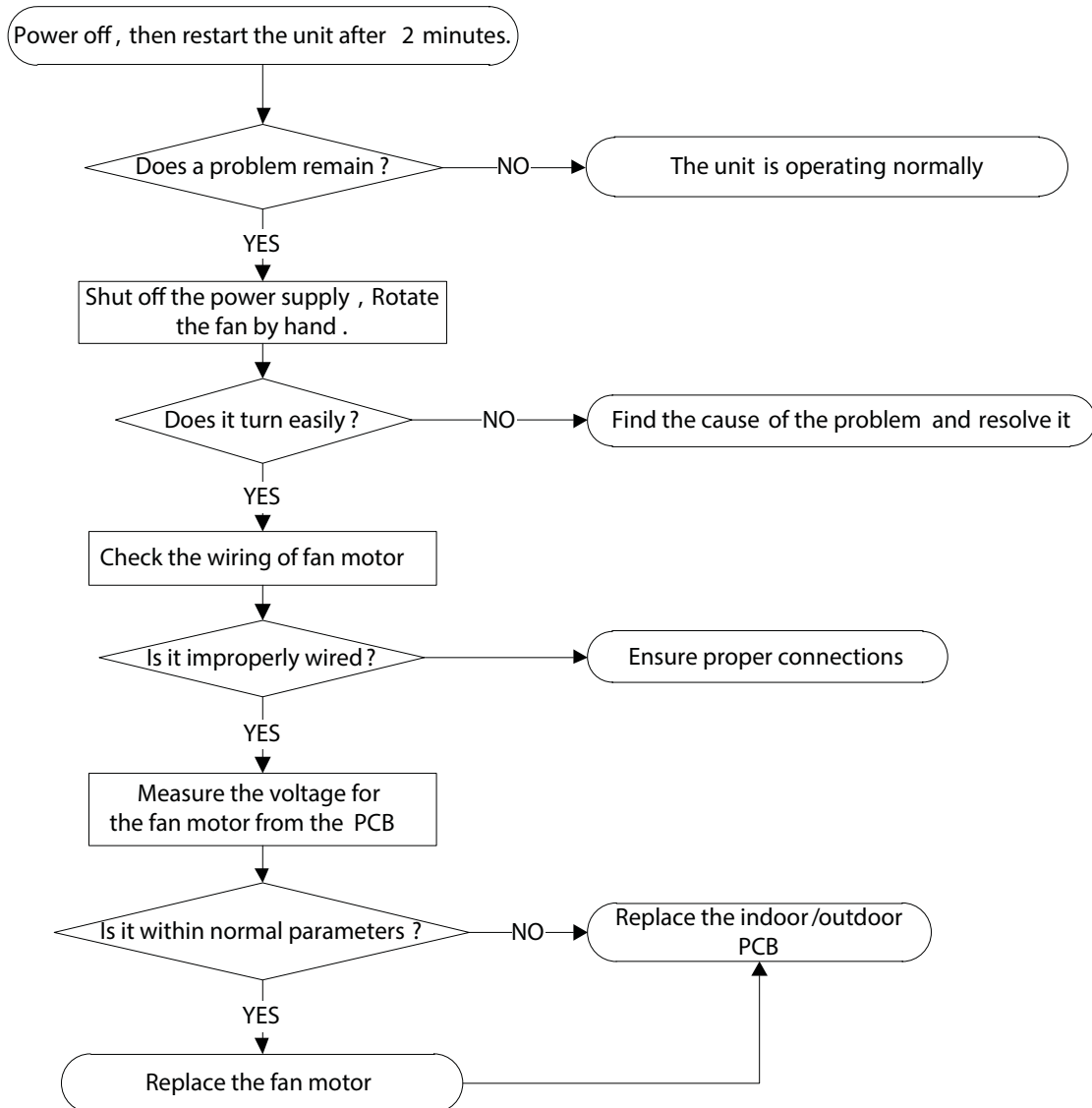
E3/F5 (Fan speed is operating outside of the Normal Range)

Description: When the indoor fan speed maintains a low speed (ex. 300RPM) or a speed that's too high (ex.1500RPM) for a certain time, the unit stops and the LED displays the failure (E3). When the outdoor fan speed registers below 200RPM or over 1500RPM for an extended period of time, the unit stops and the LED displays the failure (F5).

Recommended parts to prepare:

- Wiring
- Faulty fan assembly
- Faulty fan motor
- Faulty PCB

Troubleshooting and Repair:



Index

1. Indoor or Outdoor DC Fan Motor (control chip is in fan motor)

Power on and when the unit is in standby, measure the voltage of pin1–pin3, pin4–pin3 in the fan motor connector. If the value of the voltage is not in the range shown in Table 23, the PCB must have problems and need to be replaced.

- DC motor voltage input and output (voltage: 220–240V~):

Table 23—Voltage

No.	Color	Signal	Voltage
1	Red	Vs/Vm	280V~380V
2	---	---	---
3	Black	GND	0V
4	White	Vcc	14–18.5V
5	Yellow	Vsp	0~5.6V
6	Blue	FG	14–18.5V

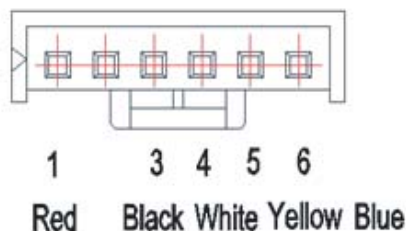


Fig. 20 – Indoor DC Fan Motor

2. Outdoor DC Fan Motor (control chip is in outdoor PCB)

Power on and check if the fan can run normally, if the fan can run normally, the PCB must have a problem and needs to be replaced, If the fan can not run normally, measure the resistance of each pin (two). If the resistance is not equal to each other, the fan motor must have a problem and needs to be replaced, otherwise the PCB must have problems and needs to be replaced.

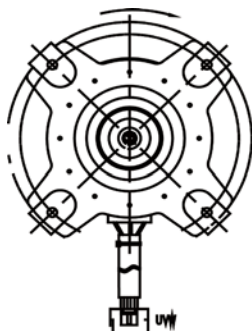


Fig. 21 – Outdoor DC Fan Motor

3. Indoor AC Fan Motor

Power on and set the unit running in FAN mode at the high fan speed. After running for 15 seconds, measure the voltage of pin1 and pin2. If the value of the voltage is less than 100V(208~240V power supply) or 50V(115V power supply), the PCB must have problems and needs to be replaced.

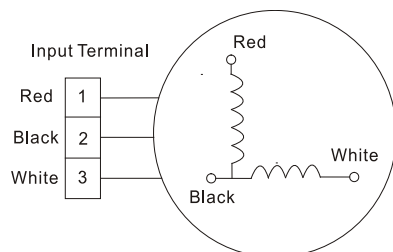


Fig. 22 – Indoor AC Fan Motor

DIAGNOSIS AND SOLUTION (CONT)

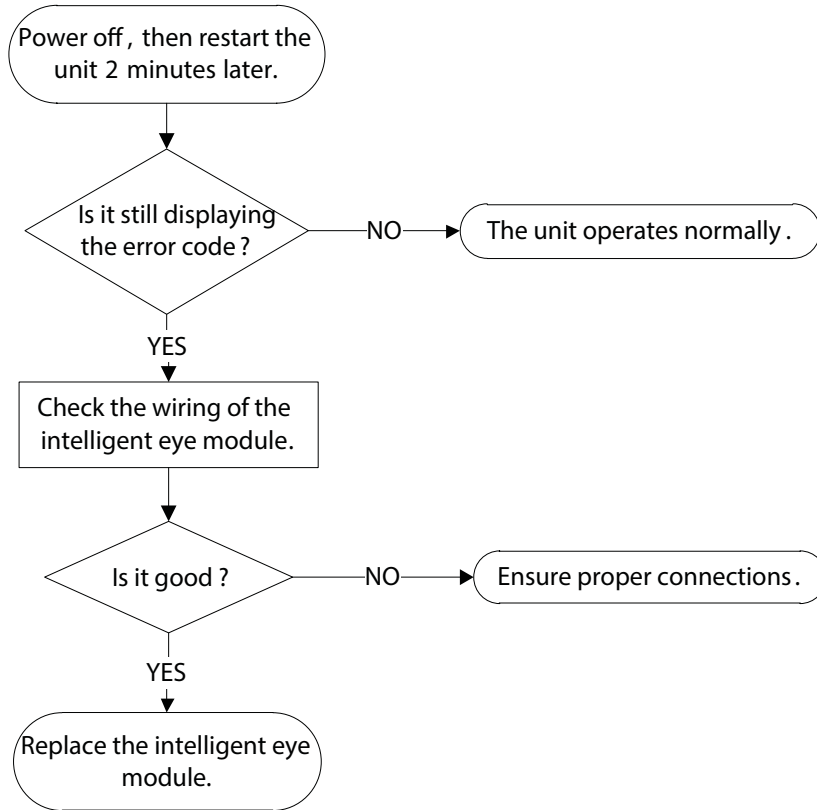
EF (Intelligent Eye Module Error Diagnosis and Solution)

Description: If the intelligent eye module malfunctions, the LED displays the failure.

Recommended parts to prepare:

- Intelligent Eye

Troubleshooting and Repair:



DIAGNOSIS AND SOLUTION (CONT)

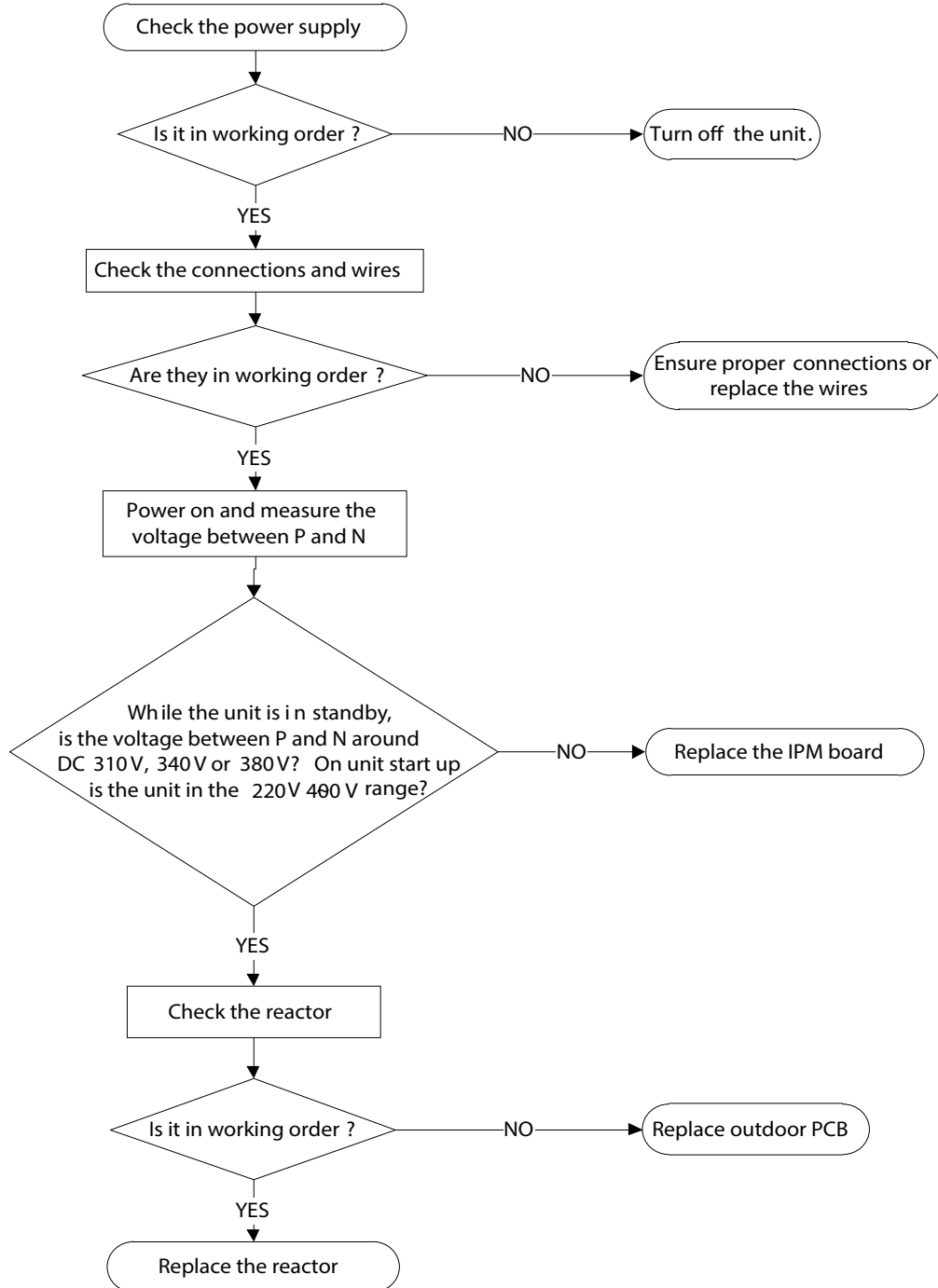
P1 (Over voltage or too low voltage protection diagnosis and solution)

Description: Abnormal increases or decreases in voltage are detected by checking the specified voltage detection circuit.

Recommended parts to prepare:

- Power supply issues
- System leakage or blockage
- Faulty PCB

Troubleshooting and Repair:



DIAGNOSIS AND SOLUTION (CONT)

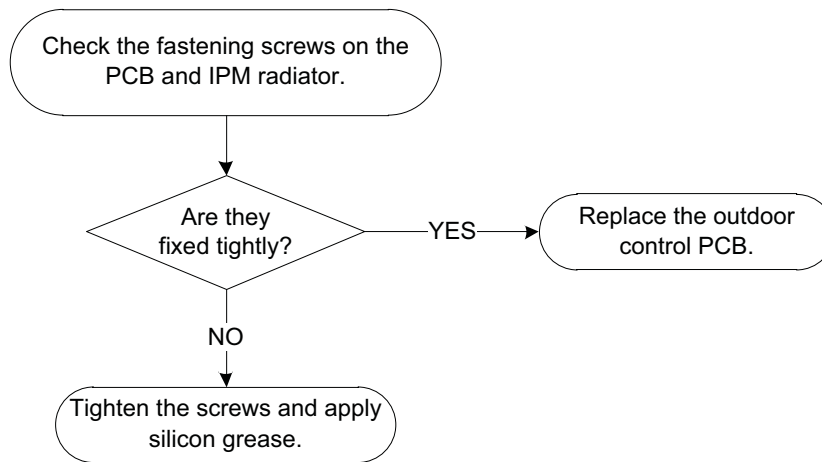
P2 (High temperature protection of IPM module diagnosis and solution)

Description: If the temperature of IPM module is higher than limited value, the LED displays this failure code.

Recommended parts to prepare:

- Faulty PCB
- Connection problems

Troubleshooting and Repair:



DIAGNOSIS AND SOLUTION (CONT)

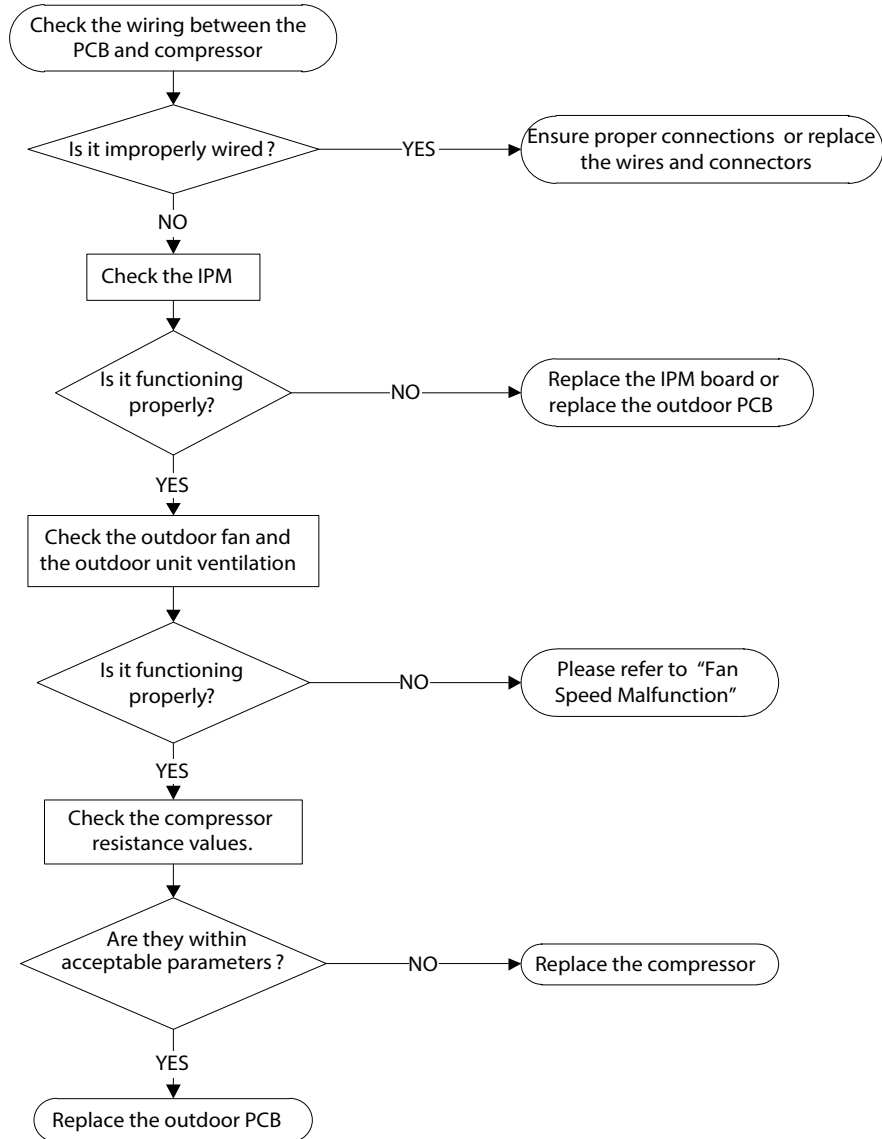
P4 (Inverter compressor drive error diagnosis and solution)

Description: If the temperature of IPM module is higher than limited value, the LED displays this failure code.

Recommended parts to prepare:

- Wiring mistake
- PM malfunction
- Outdoor fan assembly faulty
- Compressor malfunction
- Outdoor PCB faulty

Troubleshooting and Repair:



DIAGNOSIS AND SOLUTION (CONT)

E4/E5/F1/F2/F3 (Open circuit or short circuit of temperature sensor diagnosis and solution)

Description: If the sampling voltage is lower than 0.06V or higher than 4.94V, the LED displays the failure.

Recommended parts to prepare:

- Wiring mistake
- Faulty sensor
- Faulty PCB

Troubleshooting and Repair:

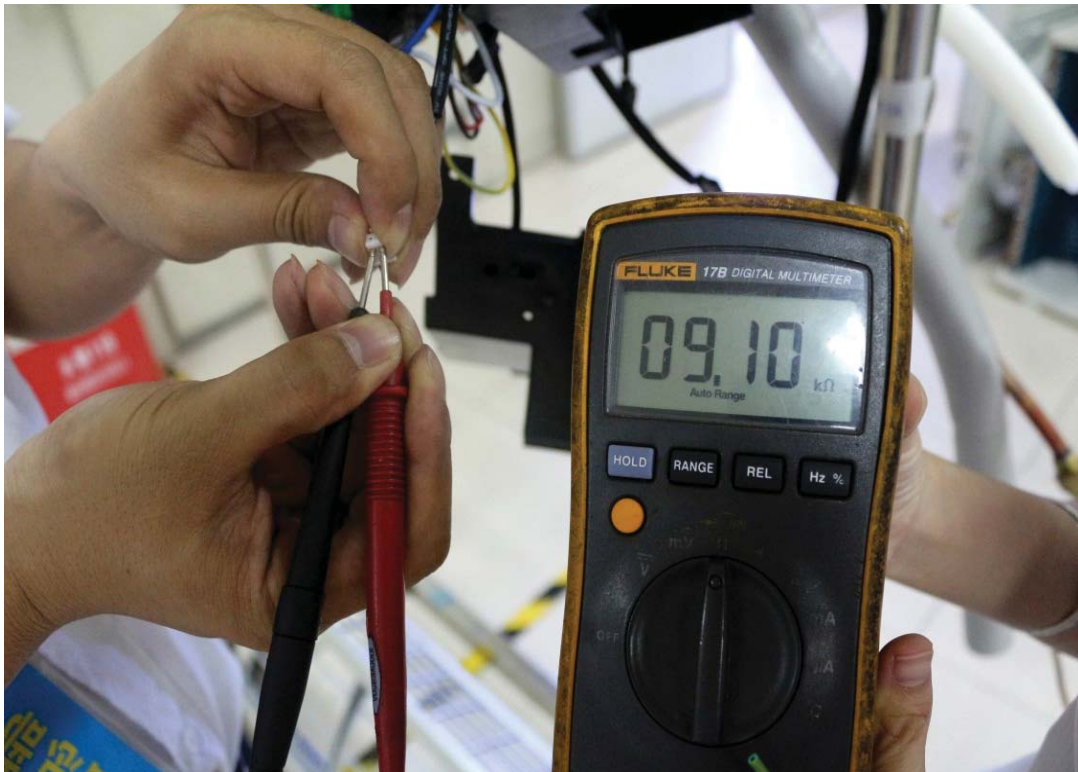
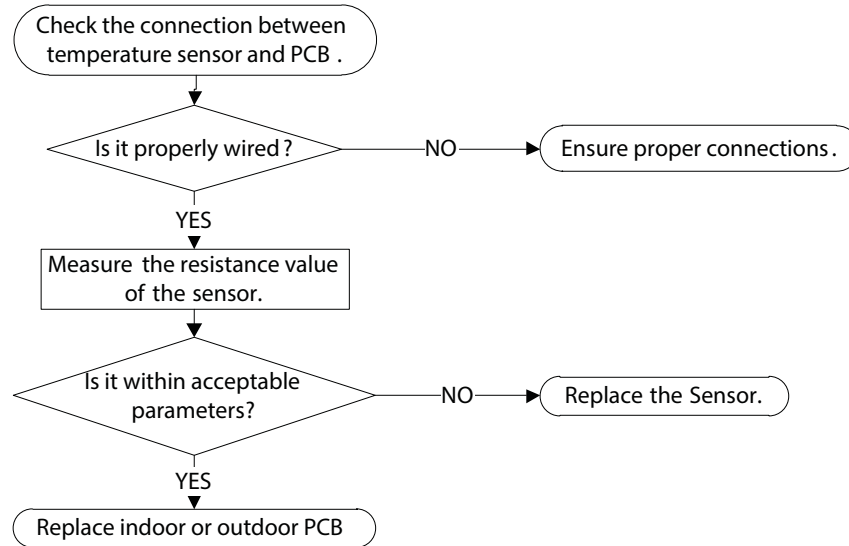


Fig. 23 – Multimeter

DIAGNOSIS AND SOLUTION (CONT)

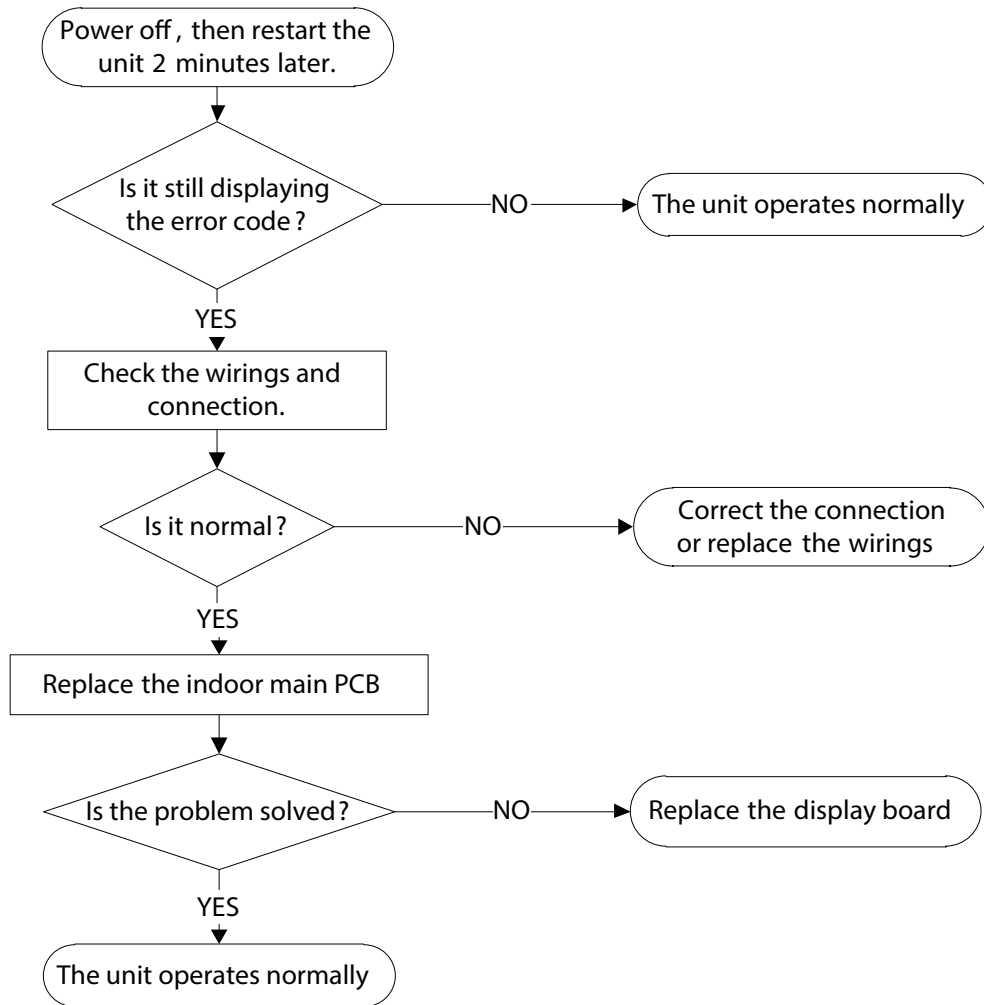
Eb (Communication error between the Indoor PCB and Display Board)

Description: Indoor PCB does not receive feedback from the display board.

Recommended parts to prepare:

- Wiring mistake
- PCB faulty
- Display board malfunction

Troubleshooting and Repair:



DIAGNOSIS AND SOLUTION (CONT)

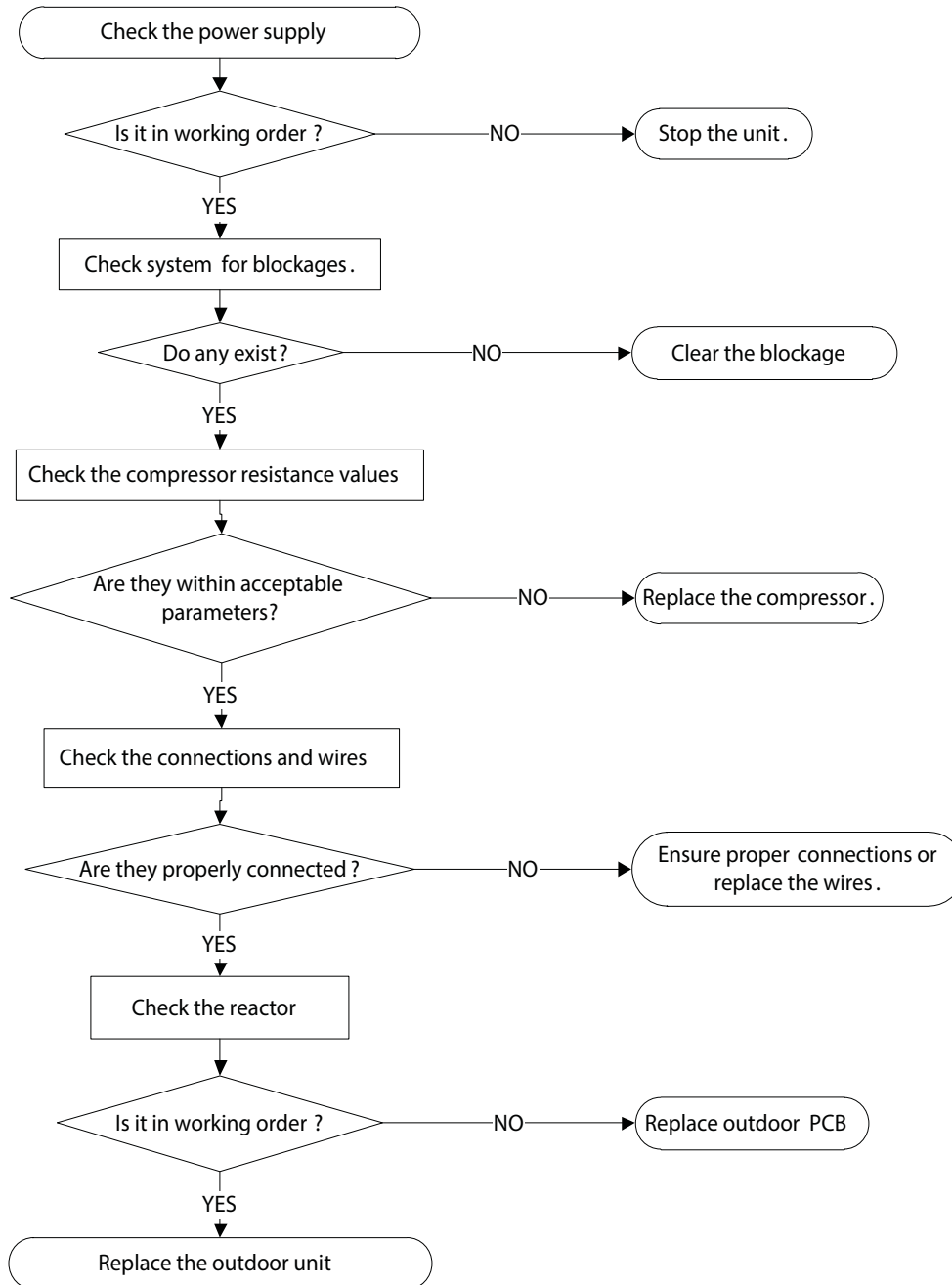
F0 (Overload current protection diagnosis and solution)

Description: An abnormal current rise is detected by checking the specified current detection circuit.

Recommended parts to prepare:

- Power supply problems
- System blockage
- Faulty PCB
- Wiring mistake
- Compressor malfunction

Troubleshooting and Repair:



DIAGNOSIS AND SOLUTION (CONT)

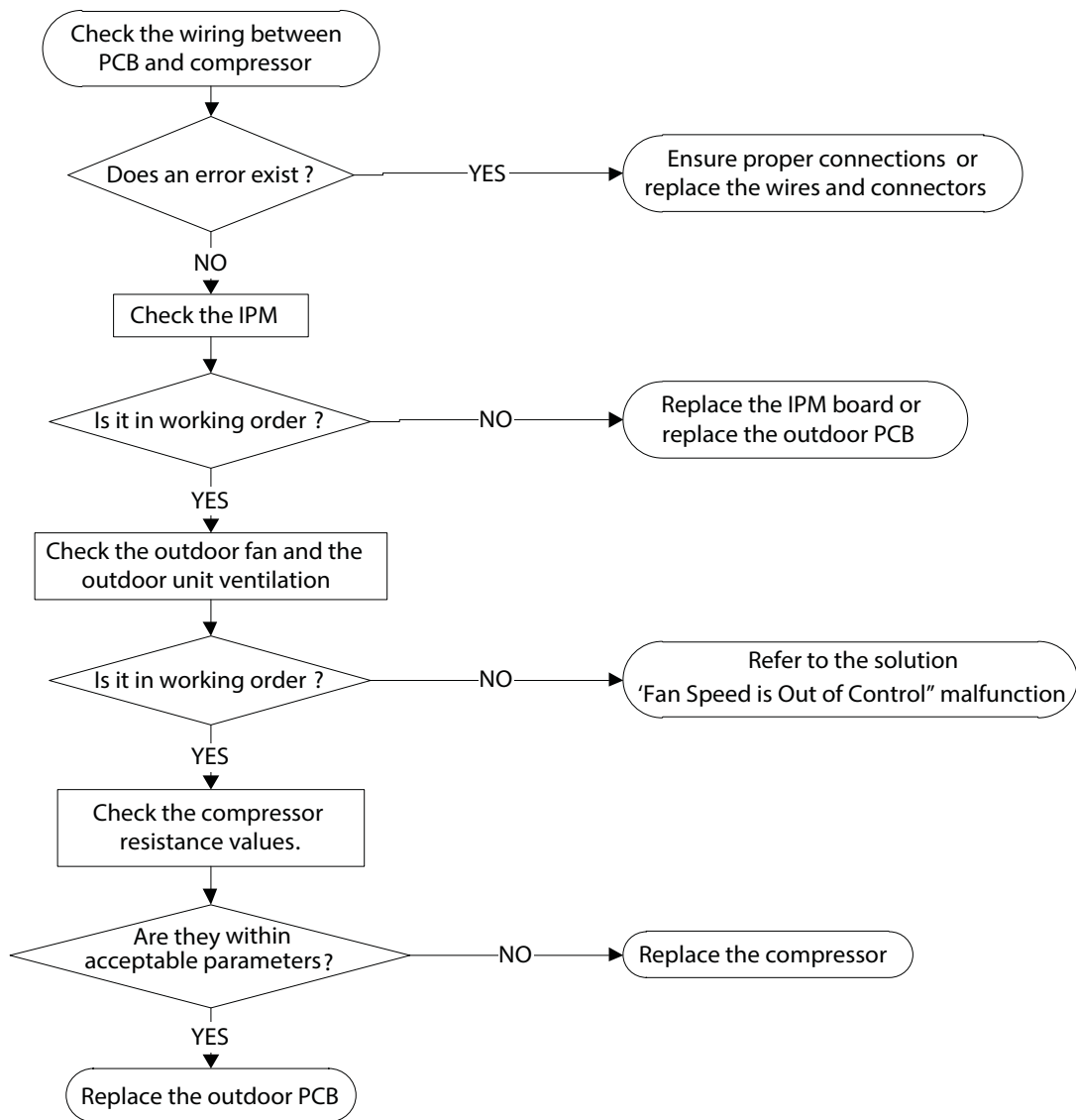
P0 (IPM malfunction or IGBT over–strong current protection diagnosis and solution)

Description: When the voltage signal the IPM sends to the compressor drive chip is abnormal, the display LED displays “P0” and the air conditioner turns off.

Recommended parts to prepare:

- Wiring mistake
- IPM malfunction
- Faulty outdoor fan assembly
- Compressor malfunction
- Faulty outdoor PCB

Troubleshooting and Repair:



Pressure on Service Port

Cooling Chart:

Table 24—Cooling Chart

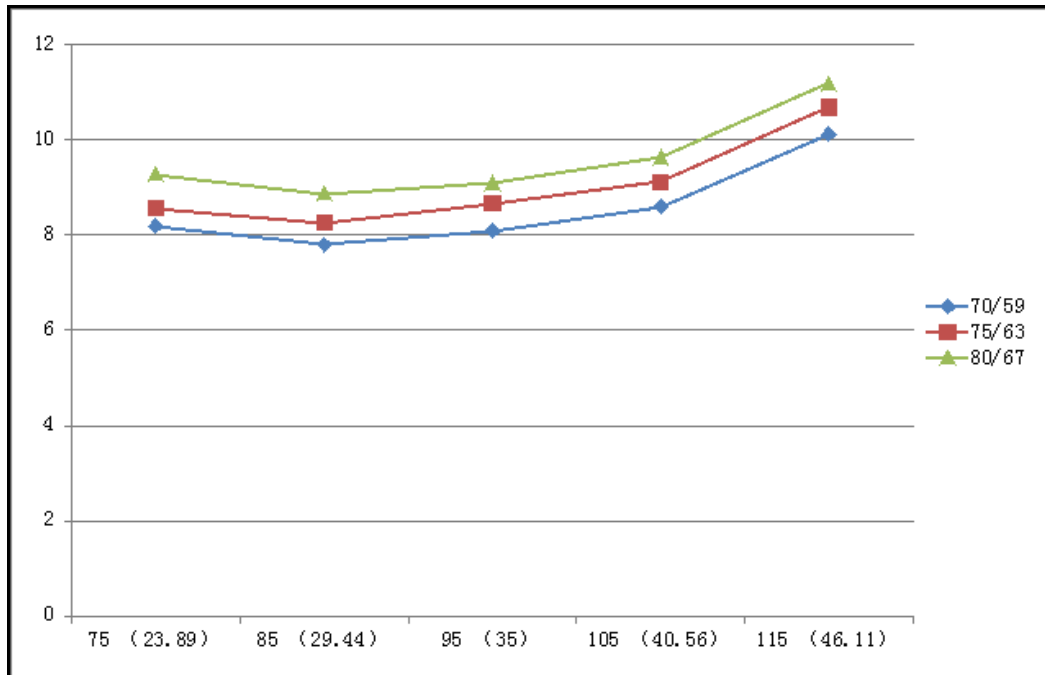
F° (C°)	IDT / ODT	75 (23.89)	85 (29.44)	95 (35)	105 (40.56)	115 (46.11)
BAR	70/59	8.2	7.8	8.1	8.6	10.1
BAR	75/63	8.6	8.3	8.7	9.1	10.7
BAR	80/67	9.3	8.9	9.1	9.6	11.2

Table 25—Cooling Chart

F° (C°)	IDT / ODT	75 (23.89)	85 (29.44)	95 (35)	105 (40.56)	115 (46.11)
PSI	70/59	119	113	117	125	147
PSI	75/63	124	120	126	135	155
PSI	80/67	135	129	132	140	162

Table 26—Cooling Chart

F° (C°)	IDT / ODT	75 (23.89)	85 (29.44)	95 (35)	105 (40.56)	115 (46.11)
MPA	70/59	0.82	0.78	0.81	0.86	1.01
MPA	75/63	0.86	0.83	0.87	0.91	1.07
MPA	80/67	0.93	0.89	0.91	0.96	1.12



Pressure on Service Port (Cont)

Heating Chart:

Table 27—Heating Chart

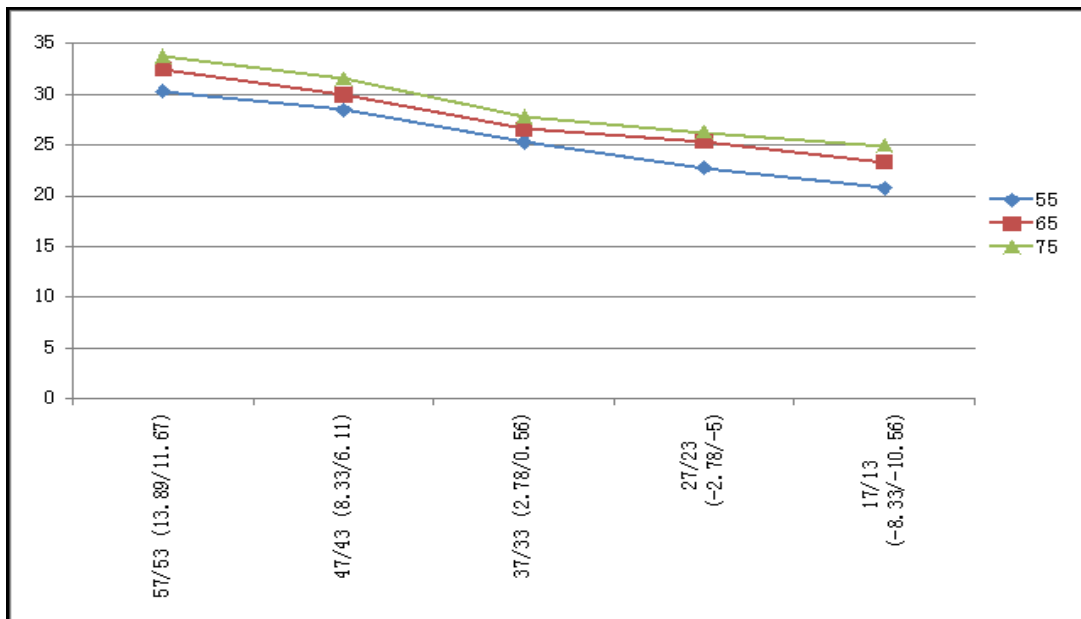
F° (C°)	IDT / ODT	57/53 (13.89/11.67)	47/43 (8.33/6.11)	37/33 (2.78/0.56)	27/23 (-2.78/-5)	17/13 (-8.33/-10.56)
BAR	55	30.3	28.5	25.3	22.8	20.8
BAR	65	32.5	30.0	26.6	25.4	23.3
BAR	75	33.8	31.5	27.8	26.3	24.9

Table 28—Heating Chart

F° (C°)	IDT / ODT	57/53 (13.89/11.67)	47/43 (8.33/6.11)	37/33 (2.78/0.56)	27/23 (-2.78/-5)	17/13 (-8.33/-10.56)
PSI	55	439	413	367	330	302
PSI	65	471	435	386	368	339
PSI	75	489	457	403	381	362

Table 29—Heating Chart

F° (C°)	IDT / ODT	57/53 (13.89/11.67)	47/43 (8.33/6.11)	37/33 (2.78/0.56)	27/23 (-2.78/-5)	17/13 (-8.33/-10.56)
MPA	55	3.03	2.85	2.53	2.28	2.08
MPA	65	3.25	3.00	2.66	2.54	2.33
MPA	75	3.38	3.15	2.78	2.63	2.49

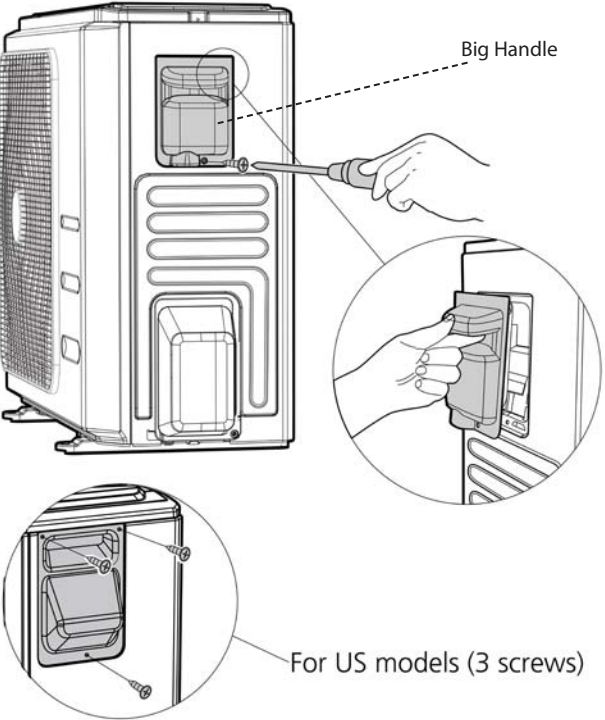
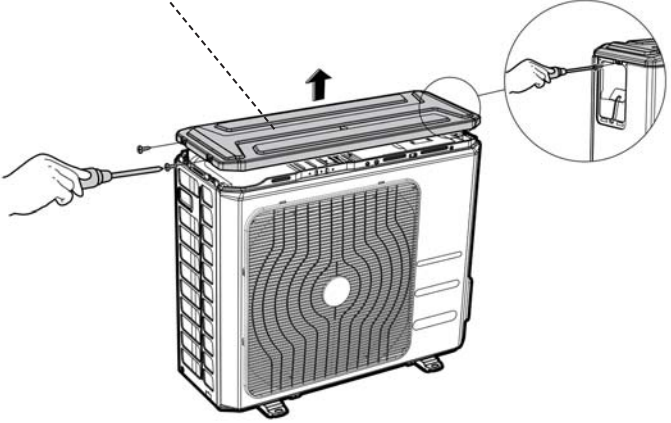


DISASSEMBLY INSTRUCTIONS

Outdoor Unit Sizes 9–12K (208–230V)

Panel Plate

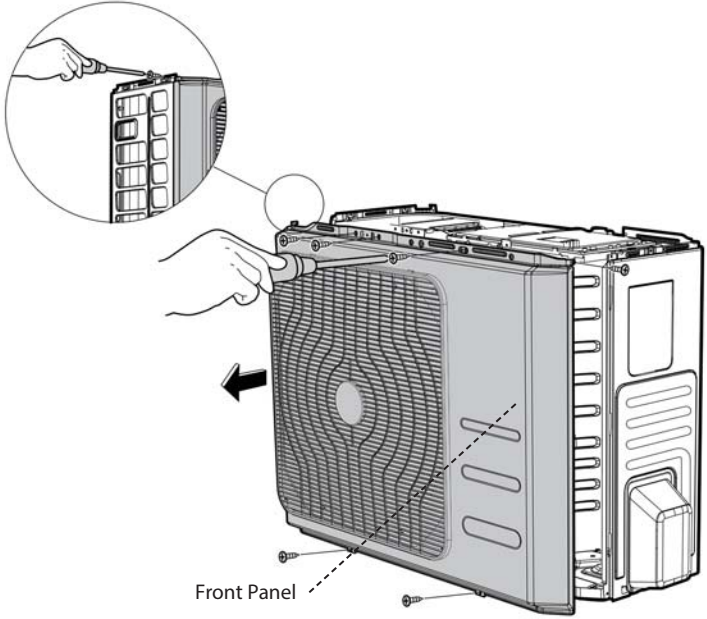
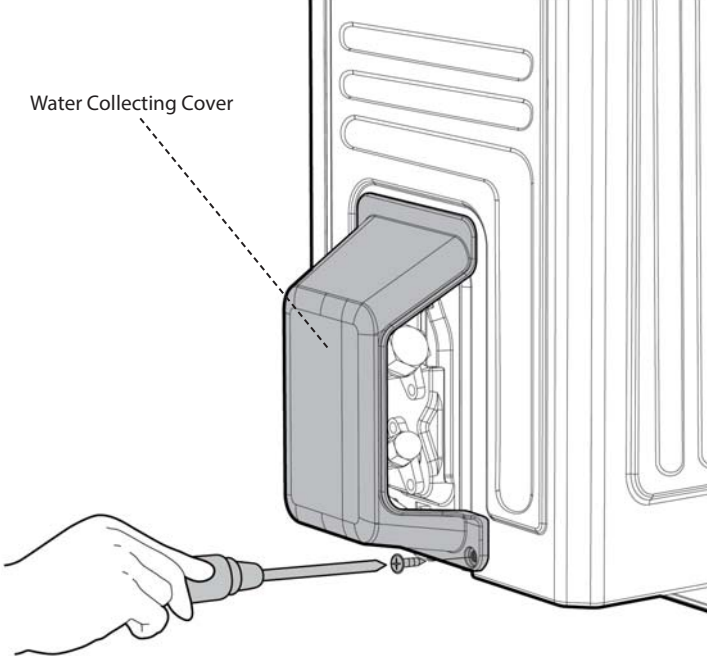
NOTE: This section is for reference only and the photos may differ from your actual unit.

Procedure	Illustration
<p>1) Turn off the air conditioner and the power breaker.</p> <p>2) Remove the big handle screws and then remove the big handle (3 screws) (see CJ_CA30_INV_001).</p>	 <p>Big Handle</p> <p>For US models (3 screws)</p> <p>CJ_CA30_INV_001</p>
<p>3) Remove the top cover screws and then remove the top cover (3 screws). One of the screws is located underneath the big handle (see CJ_CA30_INV_002).</p>	 <p>Top Cover</p> <p>CJ_CA30_INV_002</p>

DISASSEMBLY INSTRUCTIONS (CONT)

Outdoor Unit Sizes 9–12K (208–230V) (Cont)

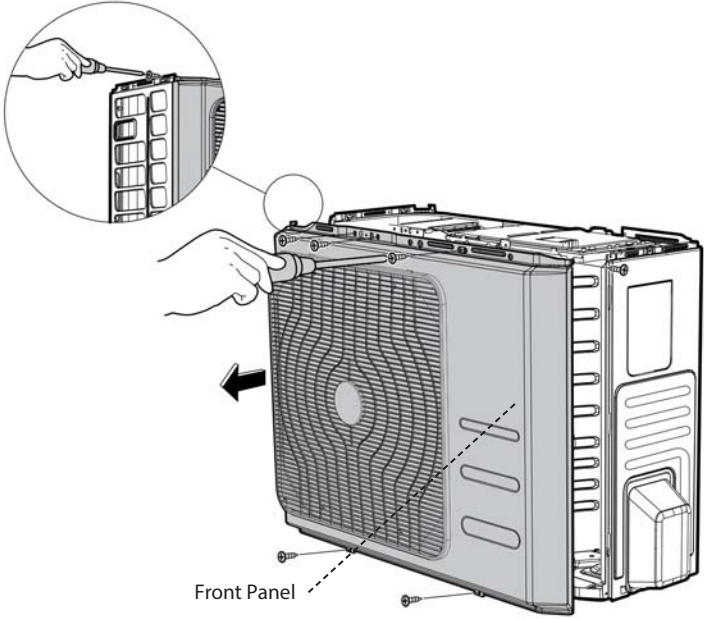
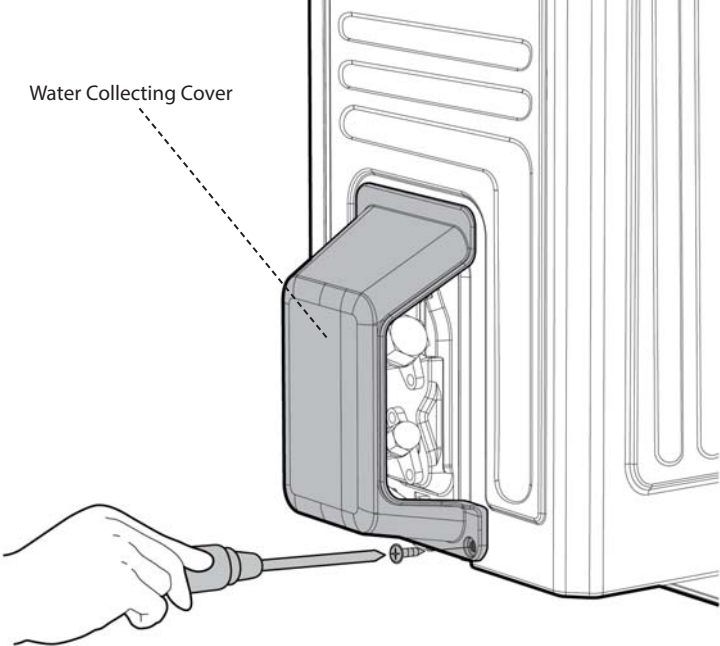
Panel Plate

Procedure	Illustration
<p>4) Remove the front panel screws and then remove the front panel (7 screws) (see CJ_CA30_INV_003).</p>	 <p style="text-align: center;">CJ_CA30_INV_003</p>
<p>5) Remove the screws of water collecting cover and then remove the water collecting cover (1 screw) (see CJ_CA30_INV_004).</p>	 <p style="text-align: center;">CJ_CA30_INV_004</p>

DISASSEMBLY INSTRUCTIONS (CONT)

Outdoor Unit Sizes 9–12K (208–230V) (Cont)

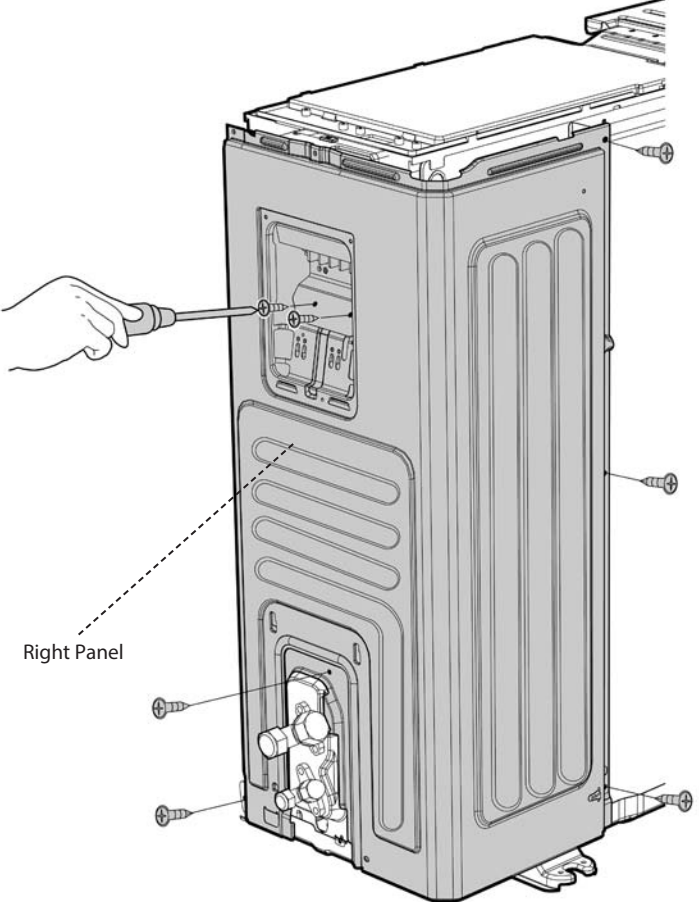
Panel Plate

Procedure	Illustration
<p>4) Remove the front panel screws and then remove the front panel (7 screws) (see CJ_CA30_INV_003).</p>	 <p>CJ_CA30_INV_003</p>
<p>5) Remove the screws of water collecting cover and then remove the water collecting cover (1 screw) (see CJ_CA30_INV_004).</p>	 <p>CJ_CA30_INV_004</p>

DISASSEMBLY INSTRUCTIONS (CONT)

Outdoor Unit Sizes 9–12K (208–230V) (Cont)

Panel Plate

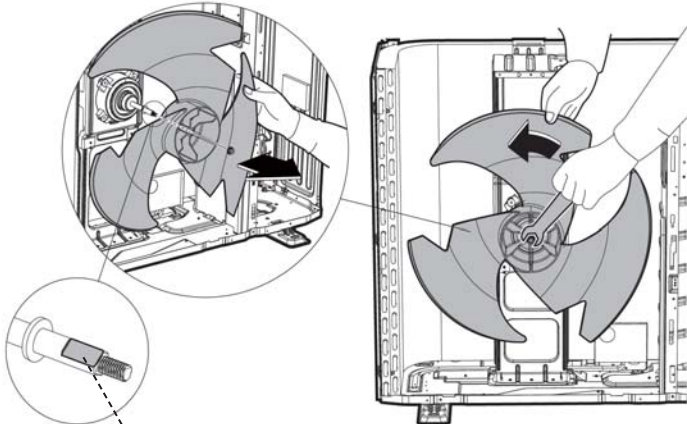
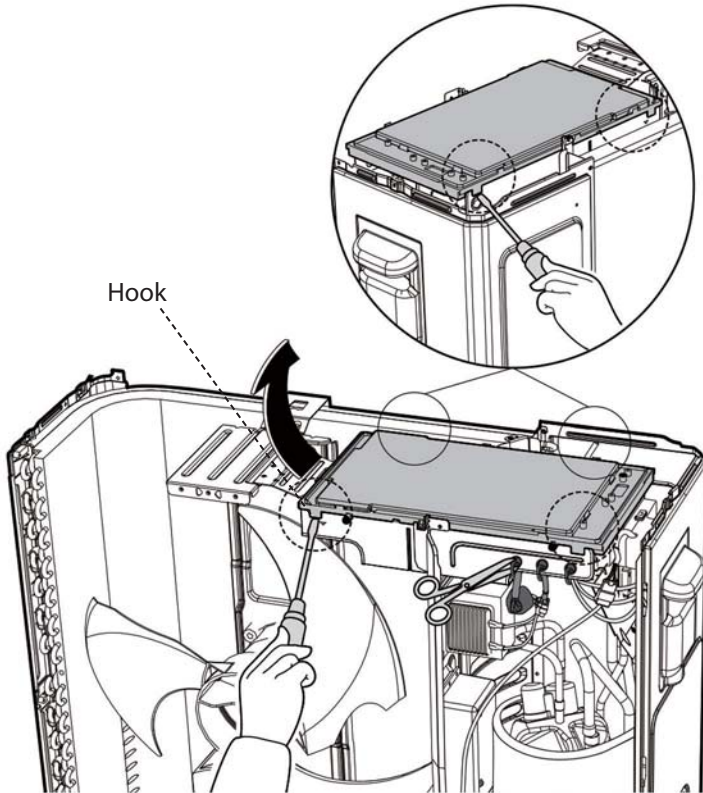
Procedure	Illustration
<p>6) Remove the screws of the right panel and then remove the right panel (6 screws) (see CJ_CA30_INV_005).</p>	 <p>Right Panel</p> <p>CJ_CA30_INV_005</p>

DISASSEMBLY INSTRUCTIONS (CONT)

Outdoor Unit Sizes 9–12K (208–230V) (Cont)

Fan Disassembly

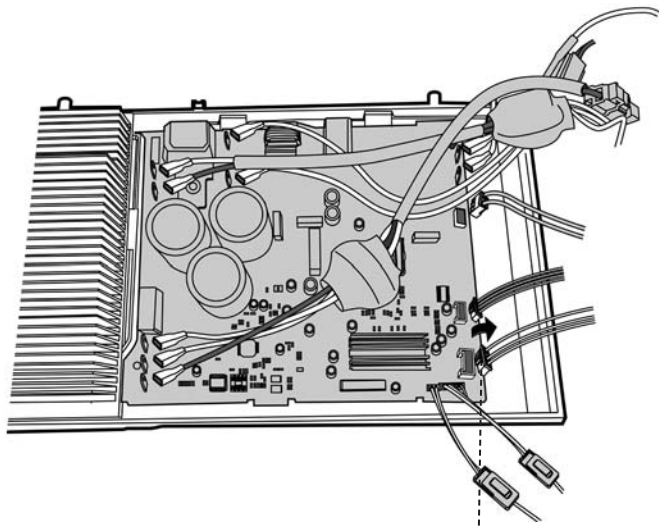
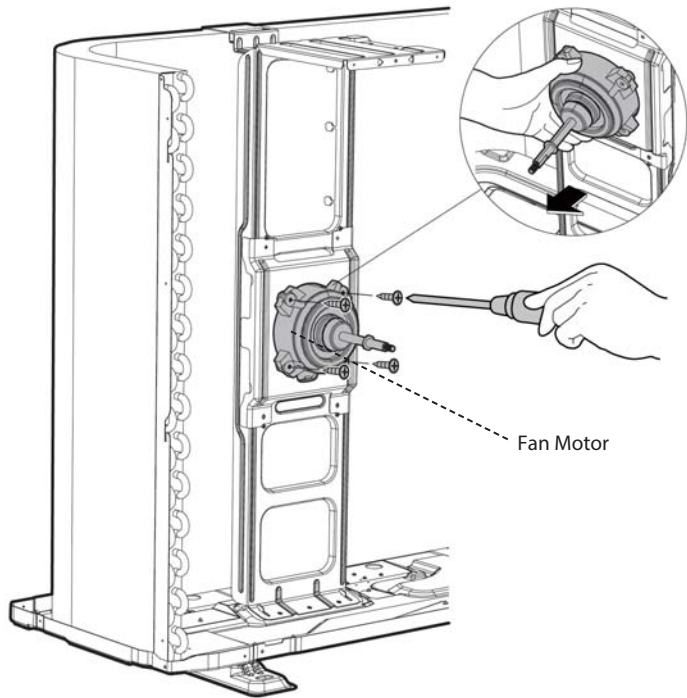
NOTE: Remove the panel plate and (refer to 1. Panel plate) before disassembling the fan.

Procedure	Illustration
<p>1) Remove the nut securing the fan with a spanner (see CJ_ODU_INV_001).</p> <p>2) Remove the fan.</p>	 <p>D-cut</p> <p>CJ_ODU_INV_001</p>
<p>3) Unfix the hooks and then open the electronic control box cover (4 hooks) (see CJ_ODU_INV_002).</p>	 <p>Hook</p> <p>CJ_ODU_INV_002</p>

DISASSEMBLY INSTRUCTIONS (CONT)

Outdoor Unit Sizes 9–12K (208–230V) (Cont)

Fan Disassembly

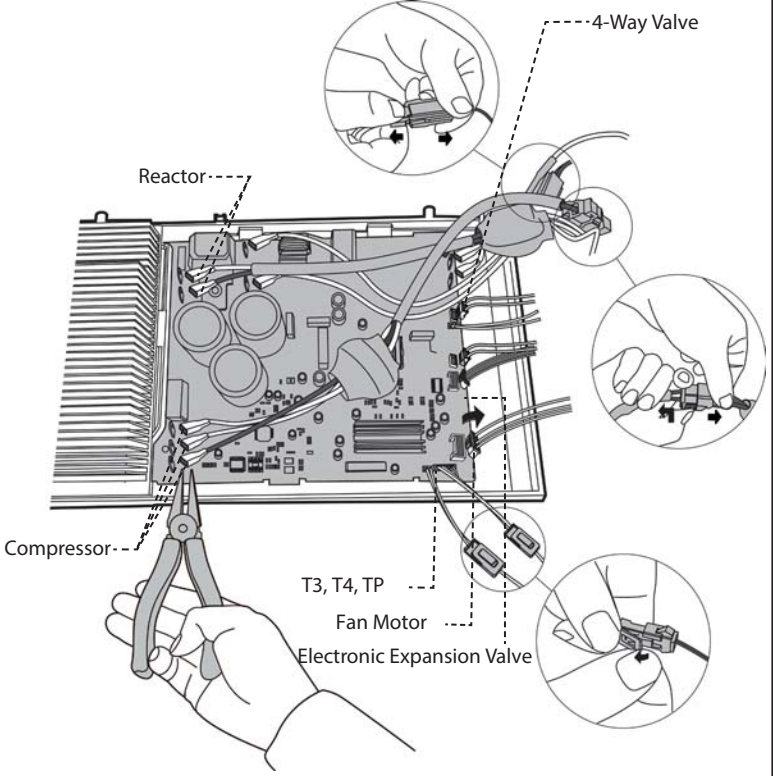
Procedure	Illustration
<p>4) Disconnect the connector for fan motor from the electronic control board (see CJ_ODU_INV_003).</p>	 <p>Fan Motor</p> <p>CJ_ODU_INV_003</p>
<p>5) Remove the fixing screws of the fan motor (4 screws) (see CJ_ODU_INV_004).</p> <p>6) Remove the fan motor.</p>	 <p>Fan Motor</p> <p>CJ_ODU_INV_004</p>

DISASSEMBLY INSTRUCTIONS (CONT)

Outdoor Unit Sizes 9–12K (208–230V) (Cont)

Electrical Parts

NOTE: Remove the panel plate and fan assembly (refer to the Panel Plate and Fan Assembly sections) before disassembling electrical parts.

Procedure	Illustration
<ol style="list-style-type: none">1) Remove the connector for the compressor (see CJ_ODU_INV_005).2) Pull out the two blue wires connected to the four way valve (see CJ_ODU_INV_005).3) Pull out connectors of the condenser coil temp. sensor(T3),outdoor ambient temp. sensor(T4) and discharge temp. sensor(T5) (see CJ_ODU_INV_005).4) Disconnect the electronic expansion valve wire (see Fig CJ_ODU_INV_005).5) Remove the connector for electric heaters (see Fig CJ_ODU_INV_005).6) Remove the connector for the reactor (see Fig CJ_ODU_INV_005).7) Then remove the electronic control box (see Fig CJ_ODU_INV_005).	 <p style="text-align: center;">CJ_ODU_INV_005</p>

DISASSEMBLY INSTRUCTIONS (CONT)

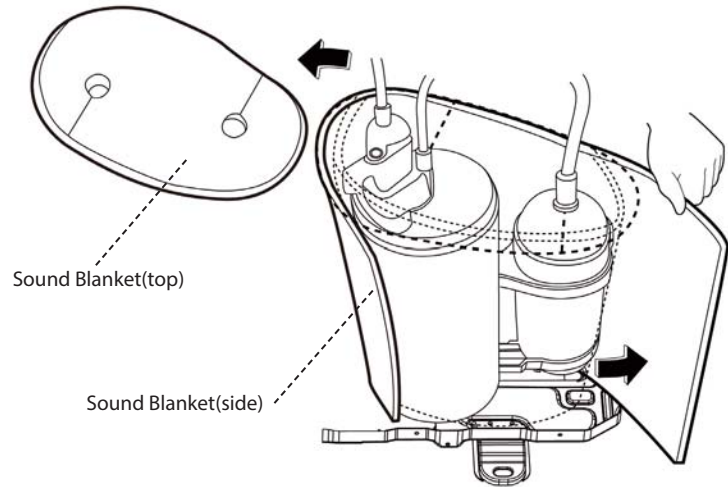
Outdoor Unit Sizes 9–12K (208–230V) (Cont)

▲ WARNING

Recover refrigerant from the refrigerant circuit before removing the compressor.

Sound Blanket

NOTE: Remove the panel plate, electrical parts, and fan assembly (refer to Panel Plate, Electrical parts, Fan assembly) before disassembling the sound blanket.

Procedure	Illustration
1) Remove the sound blanket (side and top) (see CJ_ODU_INV_006).	 <p data-bbox="922 1123 1133 1155">CJ_ODU_INV_006</p>

DISASSEMBLY INSTRUCTIONS (CONT)

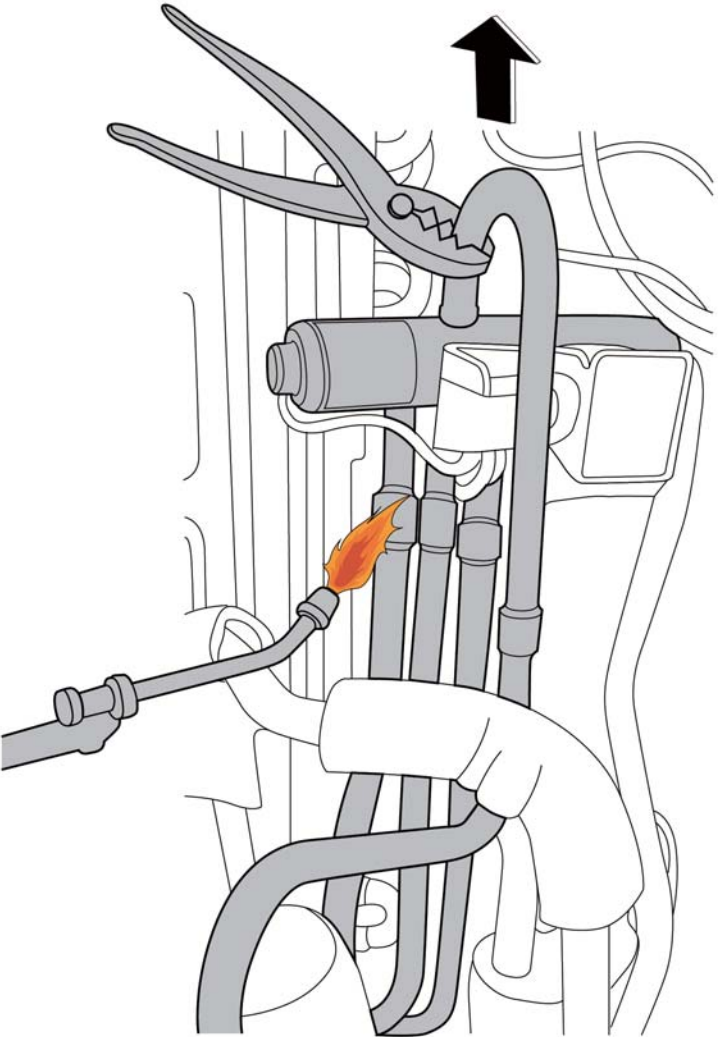
Outdoor Unit Sizes 9–12K (208–230V) (Cont)

▲ WARNING

Recover refrigerant from the refrigerant circuit before removing the four-way valve.

Four-way valve

NOTE: Remove the panel plate, electrical parts, and fan assembly (refer to Panel plate, Electrical parts, and Fan assembly) before disassembling the four-way valve.

Procedure	Illustration
<ol style="list-style-type: none">1) Heat up the brazed parts and then detach the the four-way valve and the pipe (see CJ_ODU_INV_007).2) Remove the four-way valve assembly with pliers.	 <p>CJ_ODU_INV_007</p>

DISASSEMBLY INSTRUCTIONS (CONT)

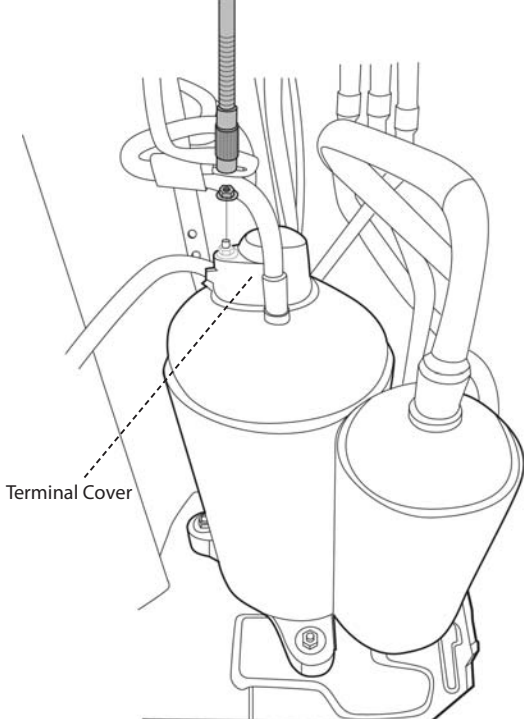
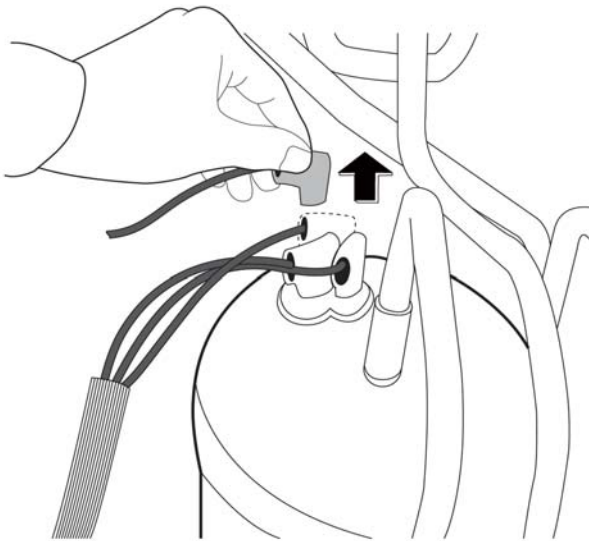
Outdoor Unit Sizes 9–12K (208–230V) (Cont)

⚠ WARNING

Recover refrigerant from the refrigerant circuit before removing the compressor.

Compressor

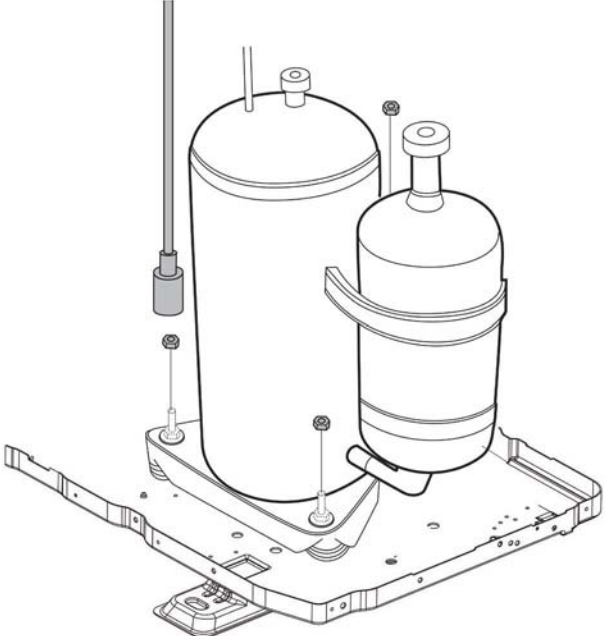
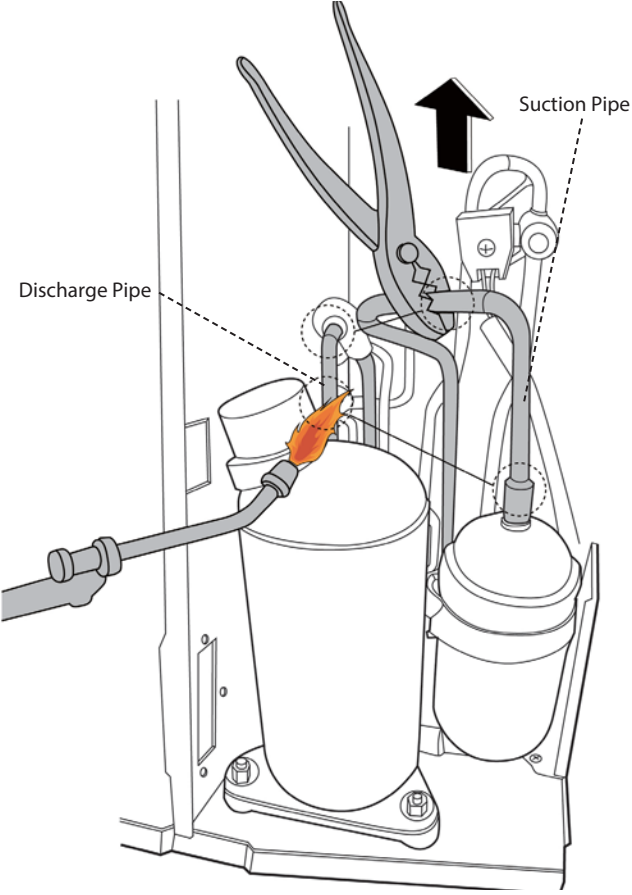
NOTE: Remove the panel plate, electrical parts, and fan assembly (refer to Panel plate, Electrical parts, and Fan assembly) before disassembling compressor.

Procedure	Illustration
1) Remove the flange nut of the terminal cover and remove the terminal cover (see CJ_ODU_INV_008).	 <p>Terminal Cover</p> <p>CJ_ODU_INV_008</p>
2) Disconnect the connectors (see CJ_ODU_INV_009).	 <p>CJ_ODU_INV_009</p>

DISASSEMBLY INSTRUCTIONS (CONT)

Outdoor Unit Sizes 9–12K (208–230V) (Cont)

Compressor

Procedure	Illustration
<p>3) Remove the hex nuts and washers securing the compressor, located on the bottom plate (see CJ_ODU_INV_010).</p>	 <p>CJ_ODU_INV_010</p>
<p>4) Heat up the brazed parts and then remove the the discharge pipe and the suction pipe (see CJ_ODU_INV_011).</p> <p>5) Lift the compressor from the base pan assembly with pliers.</p>	 <p>CJ_ODU_INV_011</p>

APPENDIX 1

Table 30—Temperature Sensor Resistance Value Table for T1, T2, T3, T4 (°C—K)

°C	°F	K Ohm	°C	°F	K Ohm	°C	°F	K Ohm	°C	°F	K Ohm
-20	-4	115.266	20	68	12.6431	60	140	2.35774	100	212	0.62973
-19	-2	108.146	21	70	12.0561	61	142	2.27249	101	214	0.61148
-18	0	101.517	22	72	11.5	62	144	2.19073	102	216	0.59386
-17	1	96.3423	23	73	10.9731	63	145	2.11241	103	217	0.57683
-16	3	89.5865	24	75	10.4736	64	147	2.03732	104	219	0.56038
-15	5	84.219	25	77	10	65	149	1.96532	105	221	0.54448
-14	7	79.311	26	79	9.55074	66	151	1.89627	106	223	0.52912
-13	9	74.536	27	81	9.12445	67	153	1.83003	107	225	0.51426
-12	10	70.1698	28	82	8.71983	68	154	1.76647	108	226	0.49989
-11	12	66.0898	29	84	8.33566	69	156	1.70547	109	228	0.486
-10	14	62.2756	30	86	7.97078	70	158	1.64691	110	230	0.47256
-9	16	58.7079	31	88	7.62411	71	160	1.59068	111	232	0.45957
-8	18	56.3694	32	90	7.29464	72	162	1.53668	112	234	0.44699
-7	19	52.2438	33	91	6.98142	73	163	1.48481	113	235	0.43482
-6	21	49.3161	34	93	6.68355	74	165	1.43498	114	237	0.42304
-5	23	46.5725	35	95	6.40021	75	167	1.38703	115	239	0.41164
-4	25	44	36	97	6.13059	76	169	1.34105	116	241	0.4006
-3	27	41.5878	37	99	5.87359	77	171	1.29078	117	243	0.38991
-2	28	39.8239	38	100	5.62961	78	172	1.25423	118	244	0.37956
-1	30	37.1988	39	102	5.39689	79	174	1.2133	119	246	0.36954
0	32	35.2024	40	104	5.17519	80	176	1.17393	120	248	0.35982
1	34	33.3269	41	106	4.96392	81	178	1.13604	121	250	0.35042
2	36	31.5635	42	108	4.76253	82	180	1.09958	122	252	0.3413
3	37	29.9058	43	109	4.5705	83	181	1.06448	123	253	0.33246
4	39	28.3459	44	111	4.38736	84	183	1.03069	124	255	0.3239
5	41	26.8778	45	113	4.21263	85	185	0.99815	125	257	0.31559
6	43	25.4954	46	115	4.04589	86	187	0.96681	126	259	0.30754
7	45	24.1932	47	117	3.88673	87	189	0.93662	127	261	0.29974
8	46	22.5662	48	118	3.73476	88	190	0.90753	128	262	0.29216
9	48	21.8094	49	120	3.58962	89	192	0.8795	129	264	0.28482
10	50	20.7184	50	122	3.45097	90	194	0.85248	130	266	0.2777
11	52	19.6891	51	124	3.31847	91	196	0.82643	131	268	0.27078
12	54	18.7177	52	126	3.19183	92	198	0.80132	132	270	0.26408
13	55	17.8005	53	127	3.07075	93	199	0.77709	133	271	0.25757
14	57	16.9341	54	129	2.95896	94	201	0.75373	134	273	0.25125
15	59	16.1156	55	131	2.84421	95	203	0.73119	135	275	0.24512
16	61	15.3418	56	133	2.73823	96	205	0.70944	136	277	0.23916
17	63	14.6181	57	135	2.63682	97	207	0.68844	137	279	0.23338
18	64	13.918	58	136	2.53973	98	208	0.66818	138	280	0.22776
19	66	13.2631	59	138	2.44677	99	210	0.64862	139	282	0.22231

APPENDIX 2

Table 31—Temperature Sensor Resistance Value Table for T5 (°C—K)

°C	°F	K Ohm	°C	°F	K Ohm	°C	°F	K Ohm	°C	°F	K Ohm
-20	-4	542.7	20	68	68.66	60	140	13.59	100	212	3.702
-19	-2	511.9	21	70	65.62	61	142	13.11	101	214	3.595
-18	0	483	22	72	62.73	62	144	12.65	102	216	3.492
-17	1	455.9	23	73	59.98	63	145	12.21	103	217	3.392
-16	3	430.5	24	75	57.37	64	147	11.79	104	219	3.296
-15	5	406.7	25	77	54.89	65	149	11.38	105	221	3.203
-14	7	384.3	26	79	52.53	66	151	10.99	106	223	3.113
-13	9	363.3	27	81	50.28	67	153	10.61	107	225	3.025
-12	10	343.6	28	82	48.14	68	154	10.25	108	226	2.941
-11	12	325.1	29	84	46.11	69	156	9.902	109	228	2.86
-10	14	307.7	30	86	44.17	70	158	9.569	110	230	2.781
-9	16	291.3	31	88	42.33	71	160	9.248	111	232	2.704
-8	18	275.9	32	90	40.57	72	162	8.94	112	234	2.63
-7	19	261.4	33	91	38.89	73	163	8.643	113	235	2.559
-6	21	247.8	34	93	37.3	74	165	8.358	114	237	2.489
-5	23	234.9	35	95	35.78	75	167	8.084	115	239	2.422
-4	25	222.8	36	97	34.32	76	169	7.82	116	241	2.357
-3	27	211.4	37	99	32.94	77	171	7.566	117	243	2.294
-2	28	200.7	38	100	31.62	78	172	7.321	118	244	2.233
-1	30	190.5	39	102	30.36	79	174	7.086	119	246	2.174
0	32	180.9	40	104	29.15	80	176	6.859	120	248	2.117
1	34	171.9	41	106	28	81	178	6.641	121	250	2.061
2	36	163.3	42	108	26.9	82	180	6.43	122	252	2.007
3	37	155.2	43	109	25.86	83	181	6.228	123	253	1.955
4	39	147.6	44	111	24.85	84	183	6.033	124	255	1.905
5	41	140.4	45	113	23.89	85	185	5.844	125	257	1.856
6	43	133.5	46	115	22.89	86	187	5.663	126	259	1.808
7	45	127.1	47	117	22.1	87	189	5.488	127	261	1.762
8	46	121	48	118	21.26	88	190	5.32	128	262	1.717
9	48	115.2	49	120	20.46	89	192	5.157	129	264	1.674
10	50	109.8	50	122	19.69	90	194	5	130	266	1.632
11	52	104.6	51	124	18.96	91	196	4.849			
12	54	99.69	52	126	18.26	92	198	4.703			
13	55	95.05	53	127	17.58	93	199	4.562			
14	57	90.66	54	129	16.94	94	201	4.426			
15	59	86.49	55	131	16.32	95	203	4.294			
16	61	82.54	56	133	15.73	96	205	4.167			
17	63	78.79	57	135	15.16	97	207	4.045			
18	64	75.24	58	136	14.62	98	208	3.927			
19	66	71.86	59	138	14.09	99	210	3.812			

APPENDIX 3

Table 32—Appendix 3

°C	°F	°C	°F	°C	°F	°C	°F	°C	°F
-5	23	21	69.8	51	123.8	82	179.6	113	235.4
-4	24.8	22	71.6	52	125.6	83	181.4	114	237.2
-3	26.6	23	73.4	53	127.4	84	183.2	115	239
-2	28.4	24	75.2	54	129.2	85	185	116	240.8
-1	30.2	25	77	55	131	86	186.8	117	242.6
0	32	25.5	77.9	56	132.8	87	188.6	118	244.4
0.5	32.9	26	78.8	57	134.6	88	190.4	119	246.2
1	33.8	27	80.6	58	136.4	89	192.2	120	248
1.5	34.7	28	82.4	59	138.2	90	194	121	249.8
2	35.6	29	84.2	60	140	91	195.8	122	251.6
2.5	36.5	30	86	61	141.8	92	197.6	123	253.4
3	37.4	31	87.8	62	143.6	93	199.4	124	255.2
3.5	38.3	32	89.6	63	145.4	94	201.2	125	257
4	39.2	33	91.4	64	147.2	95	203	126	258.8
4.5	40.1	34	93.2	65	149	96	204.8	127	260.6
5	41	35	95	66	150.8	97	206.6	128	262.4
6	42.8	36	96.8	67	152.6	98	208.4	129	264.2
7	44.6	37	98.6	68	154.4	99	210.2	130	266
8	46.4	38	100.4	69	156.2	100	212	131	267.8
9	48.2	39	102.2	70	158	101	213.8	132	269.6
10	50	40	104	71	159.8	102	215.6	133	271.4
11	51.8	41	105.8	72	161.6	103	217.4	134	273.2
12	53.6	42	107.6	73	163.4	104	219.2	135	275
13	55.4	43	109.4	74	165.2	105	221	136	276.8
14	57.2	44	111.2	75	167	106	222.8	137	278.6
15	59	45	113	76	168.8	107	224.6	138	280.4
16	60.8	46	114.8	77	170.6	108	226.4	139	282.2
17	62.6	47	116.6	78	172.4	109	228.2	140	284
18	64.4	48	118.4	79	174.2	110	230	141	285.8
19	66.2	49	120.2	80	176	111	231.8	142	287.6
20	68	50	122	81	177.8	112	233.6	143	289.4